

TTA Standard

정보통신단체표준(기술규격)
TTAT.3G-38.422(R15-15.0.0)

제정일: 2018년 9월

3GPP-(Technical Speciation
Group Radio Access Network;
NG-RAN; Xn signalling transport)



본 문서에 대한 저작권은 TTA에 있으며, TTA와 사전 협의 없이 이 문서의 전체 또는 일부를 상업적 목적으로 복제 또는 배포해서는 안 됩니다.

Copyright 20xx, Telecommunications Technology Association.
All rights reserved.

3GPP TS 38.422 V15.0.0 (2018-06)

Technical Specification

**3rd Generation Partnership Project;
Technical Specification Group Radio Access Network;
NG-RAN;
Xn signalling transport
(Release 15)**



3GPP

Postal address

3GPP support office address

650 Route des Lucioles - Sophia Antipolis
Valbonne - FRANCE
Tel.: +33 4 92 94 42 00 Fax: +33 4 93 65 47 16

Internet

<http://www.3gpp.org>

Copyright Notification

No part may be reproduced except as authorized by written permission.
The copyright and the foregoing restriction extend to reproduction in all media.

© 2018, 3GPP Organizational Partners (ARIB, ATIS, CCSA, ETSI, TSDSI, TTA, TTC).
All rights reserved.

UMTS™ is a Trade Mark of ETSI registered for the benefit of its members
3GPP™ is a Trade Mark of ETSI registered for the benefit of its Members and of the 3GPP Organizational Partners
LTE™ is a Trade Mark of ETSI registered for the benefit of its Members and of the 3GPP Organizational Partners
GSM® and the GSM logo are registered and owned by the GSM Association

Contents

Foreword	4
1 Scope	5
2 References	5
3 Definitions and abbreviations	5
3.1 Definitions	5
3.2 Abbreviations	5
4 Xn signalling bearer	6
4.1 Functions and protocol stack	6
5 Data link layer	6
6 IP layer	6
7 Transport layer	6
Annex A (informative): Change history	8

Foreword

This Technical Specification has been produced by the 3rd Generation Partnership Project (3GPP).

The contents of the present document are subject to continuing work within the TSG and may change following formal TSG approval. Should the TSG modify the contents of the present document, it will be re-released by the TSG with an identifying change of release date and an increase in version number as follows:

Version x.y.z

where:

- x the first digit:
 - 1 presented to TSG for information;
 - 2 presented to TSG for approval;
 - 3 or greater indicates TSG approved document under change control.
- y the second digit is incremented for all changes of substance, i.e. technical enhancements, corrections, updates, etc.
- z the third digit is incremented when editorial only changes have been incorporated in the document.

1 Scope

The present document specifies the standards for signalling transport to be used across Xn interface. The Xn interface provides means for interconnecting two NG-RAN nodes. The Xn interface is a logical interface between two nodes of the NG-RAN. The present document describes how the XnAP signalling messages are transported over Xn.

2 References

The following documents contain provisions which, through reference in this text, constitute provisions of the present document.

- References are either specific (identified by date of publication, edition number, version number, etc.) or non-specific.
- For a specific reference, subsequent revisions do not apply.
- For a non-specific reference, the latest version applies. In the case of a reference to a 3GPP document (including a GSM document), a non-specific reference implicitly refers to the latest version of that document *in the same Release as the present document*.

- [1] 3GPP TR 21.905: "Vocabulary for 3GPP Specifications".
- [2] IETF RFC 4960: "Stream Control Transmission Protocol".
- [3] 3GPP TS 38.300: "NR; Overall Description; Stage 2".
- [4] IETF RFC 2460 (1998-12): "Internet Protocol, Version 6 (IPv6) Specification".
- [5] IETF RFC 791 (1981-09): "Internet Protocol".
- [6] IETF RFC 2474 (1998-12): "Definition of the Differentiated Services Field (DS Field) in the IPv4 and IPv6 Headers".

3 Definitions and abbreviations

3.1 Definitions

For the purposes of the present document, the terms and definitions given in 3GPP TR 21.905 [1] and the following apply. A term defined in the present document takes precedence over the definition of the same term, if any, in 3GPP TR 21.905 [1].

NG-RAN node: as defined in TS 38.300 [3]

Xn: interface between two NG-RAN nodes, providing an interconnection point between the NG-RAN nodes.

Xn-C: Reference point for the control plane protocol between NG-RAN nodes.

3.2 Abbreviations

For the purposes of the present document, the abbreviations given in 3GPP TR 21.905 [1] and the following apply. An abbreviation defined in the present document takes precedence over the definition of the same abbreviation, if any, in 3GPP TR 21.905 [1].

IP	Internet Protocol
SCTP	Stream Control Transmission Protocol
DiffServ	Differentiated Service
PPP	Point to Point Protocol

4 Xn signalling bearer

4.1 Functions and protocol stack

Xn-C signalling bearer provides the following functions:

- Provision of reliable transfer of XnAP message over Xn-C interface.
- Provision of networking and routing function.
- Provision of redundancy in the signalling network.
- Support for flow control and congestion control.

The protocol stack for Xn-C Signalling Bearer is shown in figure 4.1-1 and details on each protocol are described in the following clauses.

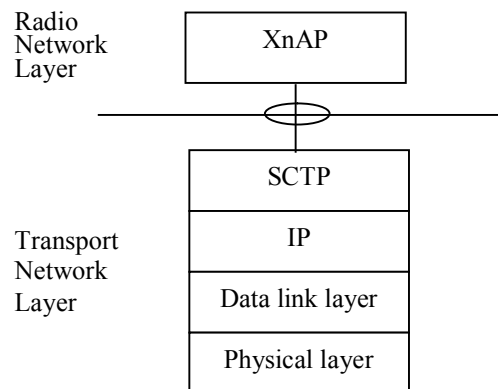


Figure 4.1-1: Xn-C signalling bearer protocol stack

The Transport Network Layer is based on IP transport, comprising SCTP on top of IP.

5 Data link layer

The support of any suitable Data Link Layer protocol, e.g. PPP, Ethernet, etc., shall not be prevented.

6 IP layer

The NG-RAN node shall support IPv6 (IETF RFC 2460 [4]) and/or IPv4 (IETF RFC 791 [5]).

The IP layer of Xn-C only supports point-to-point transmission for delivering XnAP message.

The NG-RAN node shall support the Diffserv Code Point marking as described in IETF RFC 2474 [6].

7 Transport layer

SCTP (IETF RFC 4960 [2]) shall be supported as the transport layer of Xn-C signalling bearer. The Payload Protocol Identifier assigned by IANA to be used by SCTP for the application layer protocol XnAP is 61.

SCTP refers to the Stream Control Transmission Protocol developed by the Sigtran working group of the IETF for the purpose of transporting various signalling protocols over IP network.

There shall be only one SCTP association established between two NG-RAN nodes. The SCTP Destination Port number value assigned by IANA to be used for XnAP is 38422.

Within the SCTP association established between one pair of two NG-RAN nodes:

- a single pair of stream identifiers shall be reserved for the sole use of XnAP elementary procedures that utilize non UE-associated signalling.
- At least one pair of stream identifiers shall be reserved for the sole use of XnAP elementary procedures that utilize UE-associated signalings. However, a few pairs (i.e. more than one) should be reserved.
- A single UE-associated signalling shall use one SCTP stream and the stream should not be changed during the communication of the UE-associated signalling.

Transport network redundancy may be achieved by SCTP multi-homing between two end-points, of which one or both is assigned with multiple IP addresses. SCTP end-points shall support a multi-homed remote SCTP end-point. For SCTP endpoint redundancy an INIT may be sent from one NG-RAN node, at any time for an already established SCTP association, which shall be handled as defined in IETF RFC 4960 [2] in sub clause 5.2.

The SCTP congestion control may, using an implementation specific mechanism, initiate higher layer protocols to reduce the signalling traffic at the source and prioritise certain messages.

Annex A (informative): Change history

Change history							
Date	Meeting	TDoc	CR	Rev	Cat	Subject/Comment	New version
2018-01	RAN3-AH-1801	R3-180544				Reflected agreed TP in RAN3-AH-1801 in 2018-01 (Sophia Antipolis)	0.2.0
2018-05	RAN3#100	R3-183596				Reflected agreed TP in RAN3#100 in 2018-05 (Busan) and made some editorial corrections	0.3.0
2018-06	RAN#80	RP-180682				Submitted to RAN plenary for Approval	1.0.0
2018-06	RAN#80	RP-181276				Typos corrected ("NGAP" corrected to "XnAP" in two places)	1.0.1
2018-06	RAN#80		-	-	-	Specification approved at TSG-RAN and placed under change control	15.0.0