

TTA Technical  
Specification

정보통신단체표준(기술규격)  
TTAT.3G-36.412(R11-11.0.0)

제정일: 2017년 7월

3GPP – Technical Specification Group  
Radio Access Network;  
Evolved Universal Terrestrial Radio  
Access Network (E-UTRAN);  
S1 signalling transport  
(Release 11)



본 문서에 대한 저작권은 TTA 에 있으며, TTA 와 사전 협의 없이 이 문서의 전체 또는 일부를 상업적 목적으로 복제 또는 배포해서는 안 됩니다.

Copyright© Telecommunications Technology Association 017.

All Rights Reserved

# 3GPP TS 36.412 V11.0.0 (2012-09)

---

*Technical Specification*

**3rd Generation Partnership Project;  
Technical Specification Group Radio Access Network;  
Evolved Universal Terrestrial Radio Access Network  
(E-UTRAN);  
S1 signalling transport  
(Release 11)**



---

Keywords

LTE, radio

**3GPP**

---

Postal address

---

3GPP support office address

650 Route des Lucioles - Sophia Antipolis  
Valbonne - FRANCE  
Tel.: +33 4 92 94 42 00 Fax: +33 4 93 65 47 16

---

Internet

<http://www.3gpp.org>

---

**Copyright Notification**

No part may be reproduced except as authorized by written permission.  
The copyright and the foregoing restriction extend to reproduction in all media.

© 2012, 3GPP Organizational Partners (ARIB, ATIS, CCSA, ETSI, TTA, TTC).  
All rights reserved.

UMTS™ is a Trade Mark of ETSI registered for the benefit of its members  
3GPP™ is a Trade Mark of ETSI registered for the benefit of its Members and of the 3GPP Organizational Partners  
LTE™ is a Trade Mark of ETSI currently being registered for the benefit of its Members and of the 3GPP Organizational Partners  
GSM® and the GSM logo are registered and owned by the GSM Association

---

# Contents

Foreword.....	4
1 Scope.....	5
2 References.....	5
3 Definitions and abbreviations.....	5
3.1 Definitions.....	5
3.2 Abbreviations.....	5
4 S1 signalling bearer.....	6
4.1 Functions and protocol stack.....	6
5 Data link layer.....	6
6 IP layer.....	6
7 Transport layer.....	6
<b>Annex A (informative): Change History.....</b>	<b>8</b>

---

# Foreword

This Technical Specification has been produced by the 3<sup>rd</sup> Generation Partnership Project (3GPP).

The contents of the present document are subject to continuing work within the TSG and may change following formal TSG approval. Should the TSG modify the contents of the present document, it will be re-released by the TSG with an identifying change of release date and an increase in version number as follows:

Version x.y.z

where:

- x the first digit:
  - 1 presented to TSG for information;
  - 2 presented to TSG for approval;
  - 3 or greater indicates TSG approved document under change control.
- y the second digit is incremented for all changes of substance, i.e. technical enhancements, corrections, updates, etc.
- z the third digit is incremented when editorial only changes have been incorporated in the document.

---

# 1 Scope

The present document specifies the standards for signalling transport to be used across S1 interface. S1 interface is a logical interface between the eNB and the E-UTRAN core network. The present document describes how the S1-AP signalling messages are transported over S1.

---

# 2 References

The following documents contain provisions which, through reference in this text, constitute provisions of the present document.

- References are either specific (identified by date of publication, edition number, version number, etc.) or non-specific.
- For a specific reference, subsequent revisions do not apply.
- For a non-specific reference, the latest version applies. In the case of a reference to a 3GPP document (including a GSM document), a non-specific reference implicitly refers to the latest version of that document *in the same Release as the present document*.

- [1] 3GPP TR 21.905: "Vocabulary for 3GPP Specifications".
- [2] IETF RFC 2460 (1998-12): "Internet Protocol, Version 6 (IPv6) Specification".
- [3] IETF RFC 791(1981-09): "Internet Protocol".
- [4] IETF RFC 2474 (1998-12): "Definition of the Differentiated Services Field (DS Field) in the IPv4 and IPv6 Headers".
- [5] IETF RFC 4960 (2007-09): "Stream Control Transmission Protocol".

---

# 3 Definitions and abbreviations

## 3.1 Definitions

For the purposes of the present document, the terms and definitions given in TR 21.905 [1] and the following apply. A term defined in the present document takes precedence over the definition of the same term, if any, in TR 21.905 [1].

**S1:** interface between an eNB and an EPC, providing an interconnection point between the EUTRAN and the EPC. It is also considered as a reference point.

**S1-MME:** Reference point for the control plane protocol between E-UTRAN and MME.

## 3.2 Abbreviations

For the purposes of the present document, the following abbreviations apply.

eNB	E-UTRAN Node B
EPC	
DiffServ	Differentiated Service
IP	Internet Protocol
MME	Mobility Management Entity
PPP	Point to Point Protocol
SCTP	Stream Control Transmission Protocol

---

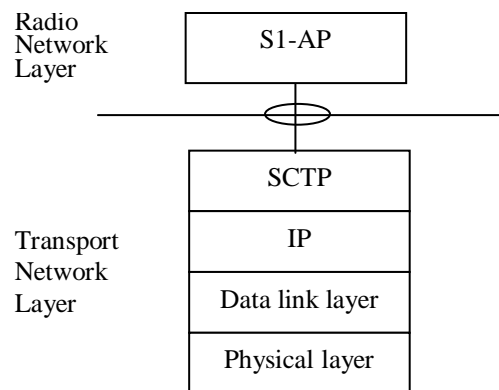
## 4 S1 signalling bearer

### 4.1 Functions and protocol stack

S1 signalling bearer provides the following functions:

- Provision of reliable transfer of S1-AP message over S1-MME interface.
- Provision of networking and routing function
- Provision of redundancy in the signalling network
- Support for flow control and congestion control

The protocol stack for S1 signalling bearer is shown in figure 4.1 and details on each protocol are described in the following clauses.



**Figure 4.1: S1-MME signalling bearer protocol stack**

The transport network layer is based on IP transport, comprising SCTP on top of IP.

---

## 5 Data link layer

The support of any suitable data link layer protocol, e.g. PPP, Ethernet, etc. , shall not be prevented.

---

## 6 IP layer

The eNB and MME shall support IPv6 (IETF RFC 2460 [2]) and/or IPv4 (IETF RFC 791 [3]).

The IP layer of S1-MME only supports point-to-point transmission for delivering S1-AP message.

The eNB and MME shall support the Diffserv Code Point marking as described in IETF RFC 2474 [4].

---

## 7 Transport layer

SCTP (IETF RFC 4960 [5]) shall be supported as the transport layer of S1-MME signalling bearer. The Payload Protocol Identifier assigned by IANA to be used by SCTP for the application layer protocol S1AP is 18.

SCTP refers to the Stream Control Transmission Protocol developed by the Sigtran working group of the IETF for the purpose of transporting various signalling protocols over IP network.

There shall be only one SCTP association established between one MME and eNB pair.

The eNB shall establish the SCTP association. The SCTP Destination Port number value assigned by IANA to be used for S1AP is 36412.

Within the SCTP association established between one MME and eNB pair:

- a single pair of stream identifiers shall be reserved for the sole use of S1AP elementary procedures that utilize non UE-associated signalling.
- At least one pair of stream identifiers shall be reserved for the sole use of S1AP elementary procedures that utilize UE-associated signalling. However a few pairs (i.e. more than one) should be reserved.
- A single UE-associated signalling shall use one SCTP stream and the stream should not be changed during the communication of the UE-associated signalling.

Transport network redundancy may be achieved by SCTP multi-homing between two end-points, of which one or both is assigned with multiple IP addresses. SCTP end-points shall support a multi-homed remote SCTP end-point. For SCTP endpoint redundancy an INIT may be sent from MME or eNB, at any time for an already established SCTP association, which shall be handled as defined in IETF RFC 4960 [5] in subclause 5.2.

The SCTP congestion control may, using an implementation specific mechanism, initiate higher layer protocols to reduce the signalling traffic at the source and prioritise certain messages.



## Annex A (informative): Change History

TSG #	TSG Doc.	CR	Rev	Subject/Comment	New
38				Specification approved at TSG-RAN and placed under change control	8.0.0
39	RP-080077	0001	-	Dedication of common streams over S1-MME	8.1.0
40	RP-080301	0004	-	SCTP flow control and overload protection	8.2.0
40	RP-080301	0005	-	Redundancy of the SCTP endpoint	8.2.0
41	RP-080583	0007	1	Correct the wording of common and dedicated procedures	8.3.0
41	RP-080583	0008		Enhancing the understandability of section 7 TS 36.412	8.3.0
41	RP-080583	0009		Clarification of SCTP Congestion Indication over S1	8.3.0
42	RP-080845	0010		Removal of chapter 8	8.4.0
43	RP-090090	0011	1	The use of the number of stream ID for a UE-associated signalling	8.5.0
43	RP-090085	0012	1	Clarification of SCTP streams	8.5.0
43	RP-090083	0013		CR for FFS(es) on signalling bearer function	8.5.0
43	RP-090085	0015	1	Clarification the overload protection function support in SCTP	8.5.0
46	RP-091183	0016	1	Specification of SCTP destination port number	8.6.0
12/2009				Creation of Rel-9 version based on v8.6.0	9.0.0
47	RP-100213	0018		Specification of Payload Identifier	9.1.0
12/2010				Creation of Rel-10 version based on v9.1.0	10.0.0
SP-49	SP-100629			Clarification on the use of References (TS 21.801 CR#0030)	10.0.1
52	RP-110685	0020		Correction to the References in 36.412	10.1.0
09/2012				Update to Rel-11 version (MCC)	11.0.0