

TTA Standard

정보통신단체표준(기술규격)
TTAT.3G-36.302(R15-15.0.0)

제정일: 2018년 9월

3GPP-(Technical Speciation
Group Radio Access Network;
Evolved Universal Terrestrial
Radio Access (E-UTRA); Services
provided by the physical layer)



본 문서에 대한 저작권은 TTA에 있으며, TTA와 사전 협의 없이 이 문서의 전체 또는 일부를 상업적 목적으로 복제 또는 배포해서는 안 됩니다.

Copyright 20xx, Telecommunications Technology Association.
All rights reserved.

3GPP TS 36.302 V15.0.0 (2018-06)

Technical Specification

**3rd Generation Partnership Project;
Technical Specification Group Radio Access Network;
Evolved Universal Terrestrial Radio Access (E-UTRA);
Services provided by the physical layer
(Release 15)**



Keywords

UTRAN, radio, layer 1

3GPP

Postal address

3GPP support office address

650 Route des Lucioles - Sophia Antipolis
Valbonne - FRANCE
Tel.: +33 4 92 94 42 00 Fax: +33 4 93 65 47 16

Internet

<http://www.3gpp.org>

Copyright Notification

No part may be reproduced except as authorized by written permission.
The copyright and the foregoing restriction extend to reproduction in all media.

© 2018, 3GPP Organizational Partners (ARIB, ATIS, CCSA, ETSI, TSDSI, TTA, TTC).
All rights reserved.

UMTS™ is a Trade Mark of ETSI registered for the benefit of its members
3GPP™ is a Trade Mark of ETSI registered for the benefit of its Members and of the 3GPP Organizational Partners
LTE™ is a Trade Mark of ETSI registered for the benefit of its Members and of the 3GPP Organizational Partners
GSM® and the GSM logo are registered and owned by the GSM Association

Contents

Foreword	4
1 Scope	5
2 References	5
3 Definitions and abbreviations	6
3.1 Definitions	6
3.2 Abbreviations	6
4 Void	8
4.1 Void	8
4.2 Void	8
5 Services and functions of the physical layer	8
5.1 General	8
5.2 Overview of L1 functions	8
5.3 Void	9
6 Model of physical layer of the UE	9
6.1 Uplink model	9
6.1.1 Uplink Shared Channel	9
6.1.2 Random-access Channel	10
6.2 Downlink model	11
6.2.1 Downlink-Shared Channel	11
6.2.2 Broadcast Channel	12
6.2.3 Paging Channel	13
6.2.4 Multicast Channel	14
6.3 Sidelink model	15
6.3.1 Sidelink Broadcast Channel	15
6.3.2 Sidelink Discovery Channel	16
6.3.3 Sidelink Shared Channel	17
7 Void	18
8 Parallel transmission of simultaneous Physical Channels and SRS	18
8.1 Uplink	19
8.2 Downlink	21
8.3 Sidelink	27
9 Measurements provided by the physical layer	28
9.1 Void	28
9.2 UE Measurements	28
9.3 E-UTRAN Measurements	28
Annex A (informative): Change history	29

Foreword

This Technical Specification has been produced by the 3rd Generation Partnership Project (3GPP).

The contents of the present document are subject to continuing work within the TSG and may change following formal TSG approval. Should the TSG modify the contents of the present document, it will be re-released by the TSG with an identifying change of release date and an increase in version number as follows:

Version x.y.z

where:

- x the first digit:
 - 1 presented to TSG for information;
 - 2 presented to TSG for approval;
 - 3 or greater indicates TSG approved document under change control.
- y the second digit is incremented for all changes of substance, i.e. technical enhancements, corrections, updates, etc.
- z the third digit is incremented when editorial only changes have been incorporated in the document.

1 Scope

The present document is a technical specification of the services provided by the physical layer of E-UTRA to upper layers.

2 References

The following documents contain provisions which, through reference in this text, constitute provisions of the present document.

- References are either specific (identified by date of publication, edition number, version number, etc.) or non specific.
- For a specific reference, subsequent revisions do not apply.
- For a non-specific reference, the latest version applies. In the case of a reference to a 3GPP document (including a GSM document), a non-specific reference implicitly refers to the latest version of that document *in the same Release as the present document*.

[1]	Void
[2]	Void
[3]	3GPP TR 21.905: "Vocabulary for 3GPP Specifications".
[4]	Void
[5]	Void
[6]	Void
[7]	Void
[8]	3GPP TS 36.211: "Evolved Universal Terrestrial Radio Access (E-UTRA); Physical channels and modulation".
[9]	Void
[10]	Void
[11]	3GPP TS 36.214: "Evolved Universal Terrestrial Radio Access (E-UTRA); Physical layer; Measurements".
[12]	3GPP TS 36.321: "Evolved Universal Terrestrial Radio Access (E-UTRA); Medium Access Control (MAC) protocol specification".
[13]	3GPP TS 36.306: "Evolved Universal Terrestrial Radio Access (E-UTRA); User Equipment (UE) radio access capabilities".
[14]	3GPP TS 23.303: "Technical Specification Group Services and System Aspects; Proximity-based services (ProSe)".
[15]	Void
[16]	3GPP TS 23.285: "Technical Specification Group Services and System Aspects; Architecture enhancements for V2X services".

3 Definitions and abbreviations

3.1 Definitions

For the purposes of the present document, the terms and definitions given in TR 21.905 [3] and the following apply. A term defined in the present document takes precedence over the definition of the same term, if any, in TR 21.905 [3].

Carrier frequency: center frequency of the cell.

Frequency layer: set of cells with the same carrier frequency.

NB-IoT: NB-IoT allows access to network services via E-UTRA with a channel bandwidth limited to 200 kHz.

Short Processing Time: For 1 ms TTI length, the operation with short processing time in UL data transmission and DL data reception.

Short TTI: TTI length based on a slot or a subslot.

Sidelink: UE to UE interface for sidelink communication, V2X sidelink communication and sidelink discovery. The sidelink corresponds to the PC5 interface as defined in TS 23.303 [14].

Sidelink communication: AS functionality enabling ProSe Direct Communication as defined in TS 23.303 [14], between two or more nearby UEs, using E-UTRA technology but not traversing any network node. In this version, the terminology "sidelink communication" without "V2X" prefix only concerns PS unless explicitly stated otherwise.

Sidelink discovery: AS functionality enabling ProSe Direct Discovery as defined in TS 23.303 [14], using E-UTRA technology but not traversing any network node.

V2X Sidelink communication: AS functionality enabling V2X Communication as defined in TS 23.285 [16], between nearby UEs, using E-UTRA technology but not traversing any network node.

Timing Advance Group: See the definition in [12].

3.2 Abbreviations

For the purposes of the present document, the abbreviations given in TR 21.905 [3] and the following apply. An abbreviation defined in the present document takes precedence over the definition of the same abbreviation, if any, in TR 21.905 [3].

For the purposes of the present document, the following abbreviations apply:

ACK	Acknowledgement
ARQ	Automatic Repeat Request
BCCH	Broadcast Control Channel
BCH	Broadcast Channel
BL	Bandwidth reduced Low complexity
BLER	Block Error Rate
CG	Cell Group
CMAS	Commercial Mobile Alert System
CP	Cyclic Prefix
C-plane	Control Plane
CRC	Cyclic Redundancy Check
CSI	Channel State Information
DC	Dual Connectivity
DCCCH	Dedicated Control Channel
DL	Downlink
DRX	Discontinuous Reception
DTCH	Dedicated Traffic Channel
DTX	Discontinuous Transmission
eNB	E-UTRAN NodeB
eIMTA	Enhanced Interference Management and Traffic Adaptation

EPDCCH	Enhanced physical downlink control channel
E-UTRA	Evolved UTRA
E-UTRAN	Evolved UTRAN
FDD	Frequency Division Duplex
FDM	Frequency Division Multiplexing
FS	Frame Structure
GERAN	GSM EDGE Radio Access Network
GSM	Global System for Mobile communication
HARQ	Hybrid ARQ
LAA	Licensed-Assisted Access
LTE	Long Term Evolution
MAC	Medium Access Control
MBMS	Multimedia Broadcast Multicast Service
MBSFN	Multimedia Broadcast multicast service Single Frequency Network
MCCH	Multicast Control Channel
MCH	Multicast Channel
MCS	Modulation and Coding Scheme
MIMO	Multiple Input Multiple Output
MTCH	Multicast Traffic Channel
MWUS	MTC Wake Up Signal
NACK	Negative Acknowledgement
NB-IoT	Narrow Band Internet of Things
NPBCH	Narrow Band Physical Broadcast Channel
NPDCCH	Narrow Band Physical Downlink Control Channel
NPDSCH	Narrow Band Physical Downlink Shared Channel
NPRACH	Narrow Band Physical Random Access Channel
NPUSCH	Narrow Band Physical Uplink Shared Channel
NWUS	Narrow Band Wake Up Signal
OFDM	Orthogonal Frequency Division Multiplexing
OFDMA	Orthogonal Frequency Division Multiple Access
PBCH	Physical broadcast channel
PDCCH	Physical downlink control channel
PDSCH	Physical downlink shared channel
PHY	Physical layer
PMCH	Physical multicast channel
PRACH	Physical random access channel
PRB	Physical Resource Block
ProSe	Proximity based Services
PSBCH	Physical Sidelink Broadcast Channel
PSCCH	Physical Sidelink Control Channel
PSCell	Primary SCell
PSDCH	Physical Sidelink Discovery Channel
PSSCH	Physical Sidelink Shared Channel
PUCCH	Physical uplink control channel
PUSCH	Physical uplink shared channel
QAM	Quadrature Amplitude Modulation
RACH	Random Access Channel
RF	Radio Frequency
RRC	Radio Resource Control
SAP	Service Access Point
SBCCH	Sidelink Broadcast Control Channel
SC-FDMA	Single Carrier – Frequency Division Multiple Access
SCell	Secondary Cell
SC-PTM	Single Cell Point to Multipoint
SL-BCH	Sidelink Broadcast Channel
SL-DCH	Sidelink Discovery Channel
SL-SCH	Sidelink Shared Channel
SPDCCH	Short PDCCH
SPT	Short Processing Time
SPUCCH	Short PUCCH
SRS	Sounding Reference Symbol
STCH	Sidelink Traffic Channel

TAG	Timing Advance Group
TB	Transport Block
TDD	Time Division Duplex
TTI	Transmission Time Interval
UE	User Equipment
UL	Uplink
UMTS	Universal Mobile Telecommunication System
U-plane	User plane
UTRA	Universal Terrestrial Radio Access
UTRAN	Universal Terrestrial Radio Access Network
V2X	Vehicle-to-Everything

4 Void

4.1 Void

4.2 Void

5 Services and functions of the physical layer

5.1 General

The physical layer offers data transport services to higher layers.

The access to these services is through the use of transport channels via the MAC sub-layer.

A transport block is defined as the data delivered by MAC layer to the physical layer and vice versa. Transport blocks are delivered once every TTI.

5.2 Overview of L1 functions

The physical layer offers data transport services to higher layers. The access to these services is through the use of a transport channel via the MAC sub-layer. The physical layer is expected to perform the following functions in order to provide the data transport service:

- Error detection on the transport channel and indication to higher layers
- FEC encoding/decoding of the transport channel
- Hybrid ARQ soft-combining
- Rate matching of the coded transport channel to physical channels
- Mapping of the coded transport channel onto physical channels
- Power weighting of physical channels
- Modulation and demodulation of physical channels
- Frequency and time synchronisation
- Radio characteristics measurements and indication to higher layers
- Multiple Input Multiple Output (MIMO) antenna processing
- Transmit Diversity (TX diversity)

- Beamforming
- RF processing.

L1 functions are modelled for each transport channel in subclauses 6.1, 6.2 and 6.3.

5.3 Void

6 Model of physical layer of the UE

The E-UTRA physical-layer model captures those characteristics of the E-UTRA physical-layer that are relevant from the point-of-view of higher layers. More specifically, the physical-layer model captures:

- The structure of higher-layer data being passed down to or up from the physical layer;
- The means by which higher layers can configure the physical layer;
- The different indications (error indications, channel-quality indications, etc.) that are provided by the physical layer to higher layers;
- Other (non-transport-channel-based) higher-layer peer-to-peer signalling supported by the physical layer.

6.1 Uplink model

6.1.1 Uplink Shared Channel

The physical-layer model for Uplink Shared Channel transmission is described based on the corresponding physical-layer-processing chain, see Figure 6.1.1-1. Processing steps that are relevant for the physical-layer model, e.g. in the sense that they are configurable by higher layers, are highlighted in blue. It should be noted that, in the cases of PUSCH and NPUSCH, the scheduling decision is fully done at the network side. The uplink transmission control in the UE then configures the uplink physical-layer processing, based on uplink transport-format and resource-assignment information received on the downlink.

- **Higher-layer data passed to/from the physical layer**
 - One transport block of dynamic size delivered to the physical layer once every TTI.
- **CRC and transport-block-error indication**
 - Transport-block-error indication delivered to higher layers.
- **FEC and rate matching**
 - Channel coding rate is implicitly given by the combination of transport block size, modulation scheme and resource assignment;
 - Physical layer model support of HARQ: in case of Incremental Redundancy, the corresponding Layer 2 Hybrid-ARQ process controls what redundancy version is to be used for the physical layer transmission for each TTI.
- **Interleaving**
 - No control of interleaving by higher layers.
- **Data modulation**
 - Modulation scheme is decided by MAC Scheduler (QPSK, 16QAM, 64QAM, and 256QAM; for BL UEs or UEs in enhanced coverage, supported modulation schemes are QPSK and 16QAM; for NB-IoT, supported modulation schemes are Pi/4-QPSK and Pi/2-BPSK for single-tone allocation, and QPSK for multi-tone allocation).
- **Mapping to physical resource**

- L2-controlled resource assignment.
- **Multi-antenna processing**
- MAC Scheduler partly configures mapping from assigned resource blocks to the available number of antenna ports.
- **Support of L1 control signalling**
- Transmission of ACK/NACK and CSI feedback related to DL data transmission

The model of Figure 6.1.1-1 also captures

- Transport via physical layer of Hybrid-ARQ related information associated with the PUSCH, to the peer HARQ process at the transmitter side;
- Transport via physical layer of corresponding HARQ acknowledgements to PUSCH transmitter side (except for NB-IoT UEs, BL UEs, and UEs in enhanced coverage).

If a UE is configured with one or more SCells, the physical-layer-processing chain in Figure 6.1.1-1 is repeated for every UL Serving Cell.

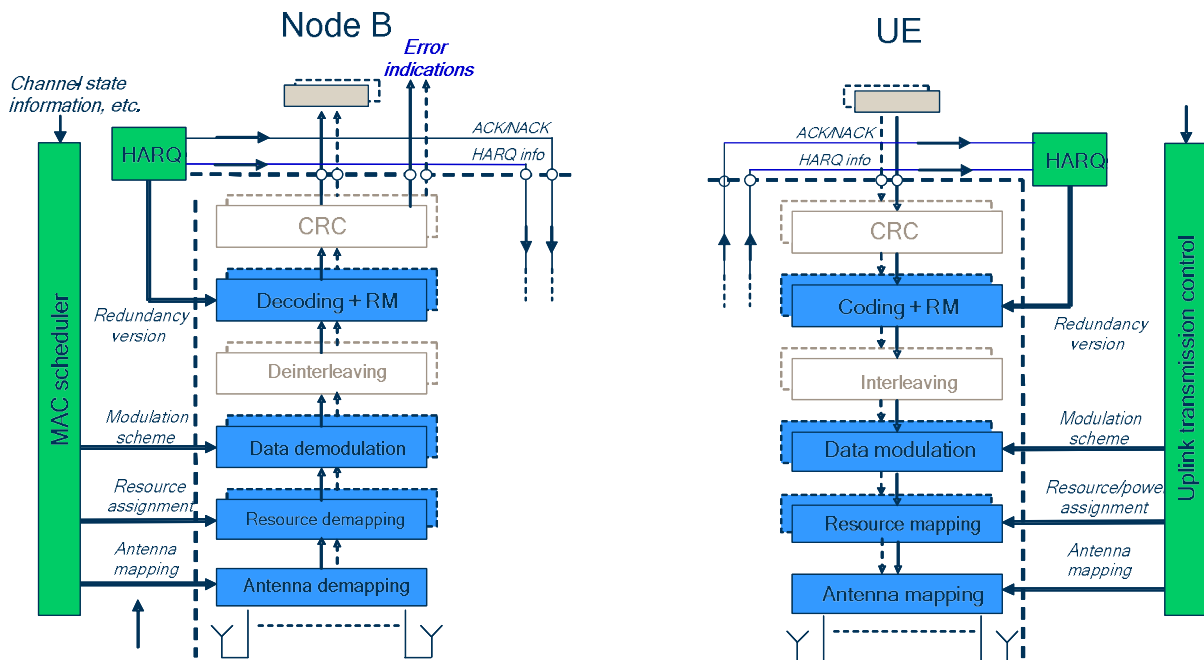


Figure 6.1.1-1: Physical-layer model for UL-SCH transmission

6.1.2 Random-access Channel

The physical-layer model for RACH transmission is characterized by a random access burst that consists of a cyclic prefix, a preamble, and a guard time during which nothing is transmitted.

The random access preambles are generated from Zadoff-Chu sequences with zero correlation zone (ZC-ZCZ), generated from one or several root Zadoff-Chu sequences. For NB-IoT, the random access preambles are generated from single-subcarrier frequency-hopping symbol groups. A symbol group consists of a cyclic prefix followed by five identical symbols, whose value is constant across symbol groups during each NPRACH transmission.

6.2 Downlink model

6.2.1 Downlink-Shared Channel

The physical-layer model for Downlink Shared Channel transmission is described based on the corresponding PDSCH or NPDSCH physical-layer-processing chain, see Figure 6.2.1-1. Processing steps that are relevant for the physical-layer model, e.g. in the sense that they are configurable by higher layers, are highlighted in blue on the figure.

- **Higher-layer data passed to/from the physical layer**
- N (up to two) transport blocks of dynamic size delivered to the physical layer once every TTI.
- **CRC and transport-block-error indication**
- Transport-block-error indication delivered to higher layers.
- **FEC and rate matching**
- Channel coding rate is implicitly given by the combination of transport block size, modulation scheme and resource assignment;
- Physical layer model support of HARQ: in case of Incremental Redundancy, the corresponding Layer 2 Hybrid-ARQ process controls what redundancy version is to be used for the physical layer transmission for each TTI.
- **Data modulation**
- Modulation scheme is decided by MAC Scheduler (QPSK, 16QAM, 64 QAM and 256QAM; for BL UEs or UEs in enhanced coverage, supported modulation schemes are QPSK and 16QAM; for NB-IoT, only QPSK is supported).

Multi-antenna processing

- MAC Scheduler partly configures mapping from modulated code words (for each stream) to the available number of antenna ports.
- **Mapping to physical resource**
- L2-controlled resource assignment.
- **Support of L1 control signalling**
- Transmission of scheduler related control signals.
- **Support for Hybrid-ARQ-related signalling**

The model of Figure 6.2.1-1 also captures:

- Transport via physical layer of Hybrid-ARQ related information associated with the PDSCH, to the peer HARQ process at the receiver side;
- Transport via physical layer of corresponding HARQ acknowledgements to PDSCH transmitter side.

If a UE is configured with one or more SCells, the physical-layer-processing chain in Figure 6.2.1-1 is repeated for every DL Serving Cell.

NOTE: The signalling of transport-format and resource-allocation is not captured in the physical-layer model. At the transmitter side, this information can be directly derived from the configuration of the physical layer. The physical layer then transports this information over the radio interface to its peer physical layer, presumably multiplexed in one way or another with the HARQ-related information. On the receiver side, this information is, in contrast to the HARQ-related information, used directly within the physical layer for PDSCH demodulation, decoding etc., without passing through higher layers.

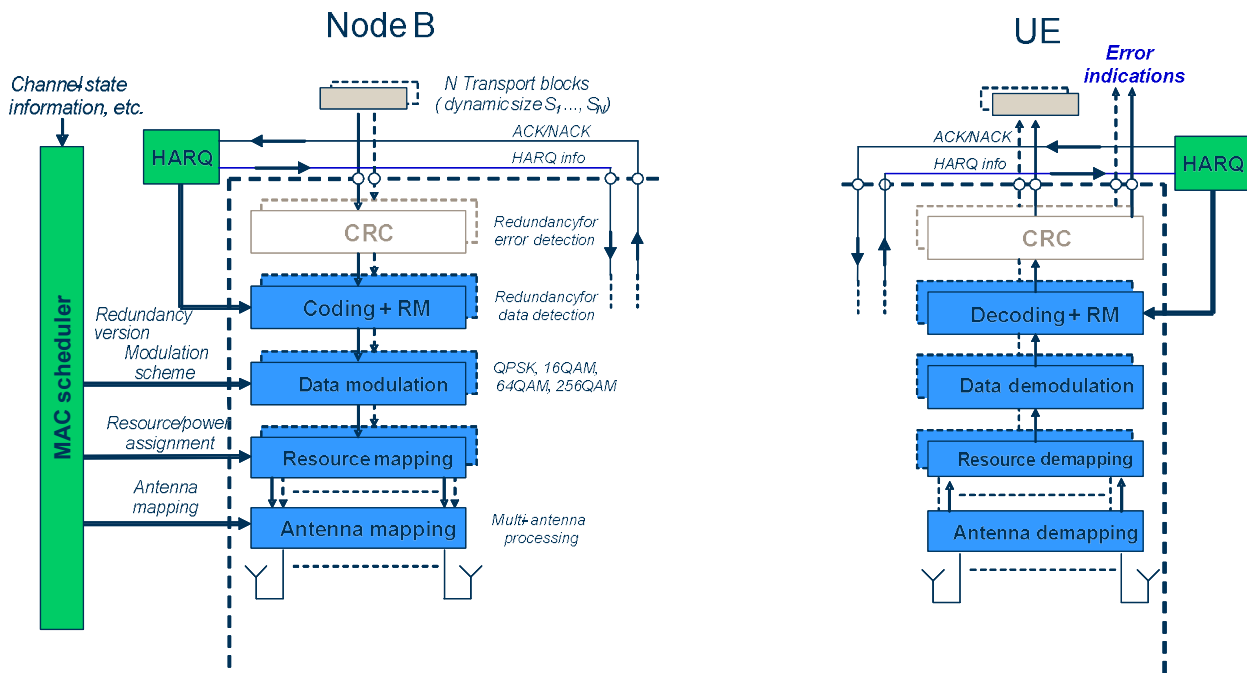


Figure 6.2.1-1: Physical-layer model for DL-SCH transmission

6.2.2 Broadcast Channel

The physical-layer model for BCH transmission is characterized by a fixed pre-defined transport format. The TTI (repetition rate) of the BCH is 40 ms except for NB-IoT and 640 ms for NB-IoT. The BCH physical-layer model is described based on the corresponding BCH physical-layer-processing chain, see Figure 6.2.2-1:

- **Higher-layer data passed to/from the physical layer**
 - A single (fixed-size) transport block per TTI.
- **CRC and transport-block-error indication**
 - Transport-block-error indication delivered to higher layers.
- **FEC and rate matching**
 - Channel coding rate is implicitly given by the combination of transport block size, modulation scheme and resource assignment;
 - No BCH Hybrid ARQ, i.e. no higher-layer control of redundancy version.
- **Data modulation**
 - Fixed modulation scheme (QPSK), i.e. no higher-layer control.
- **Mapping to physical resource**
 - Fixed pre-determined transport format and resource allocation, i.e. no higher-layer control.
- **Multi-antenna processing**
 - Fixed pre-determined processing, i.e. no higher-layer control.
- **Support for Hybrid-ARQ-related signalling**
 - No Hybrid ARQ.

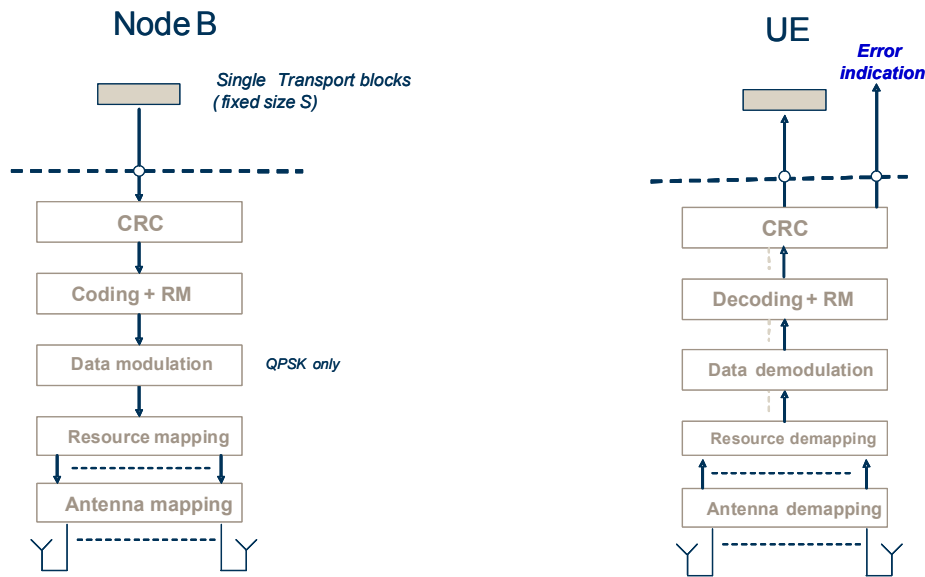


Figure 6.2.2-1: Physical-layer model for BCH transmission

NOTE: For NB-IoT, the BCH transport block of 40 bits is truncated to 34 bits by the NodeB when provided to the physical layer for BCH transmission. The BCH transport block of 34 bits is padded to 40 bits when delivered by the UE physical layer to the upper layer.

6.2.3 Paging Channel

The physical-layer model for PCH transmission is described based on the corresponding PCH physical-layer-processing chain, see Figure 6.2.3-1. Processing steps that are relevant for the physical-layer model, e.g. in the sense that they are configurable by higher layers, are highlighted in blue on the figure.

- **Higher-layer data passed to/from the physical layer**
- A single transport block per TTI.
- **CRC and transport-block-error indication**
- Transport-block-error indication delivered to higher layers.
- **FEC and rate matching**
- Channel coding rate is implicitly given by the combination of transport block size, modulation scheme and resource assignment;
- No PCH Hybrid ARQ, i.e. no higher-layer control of redundancy version.
- **Data modulation**
- Modulation scheme is decided by MAC Scheduler.
- **Mapping to physical resource**
- L2 controlled resource assignment;
- Possible support of dynamic transport format and resource allocation.
- **Multi-antenna processing**
- MAC Scheduler partly configures mapping from assigned resource blocks to the available number of antenna ports.
- **Support for Hybrid-ARQ-related signalling**
- No Hybrid ARQ.

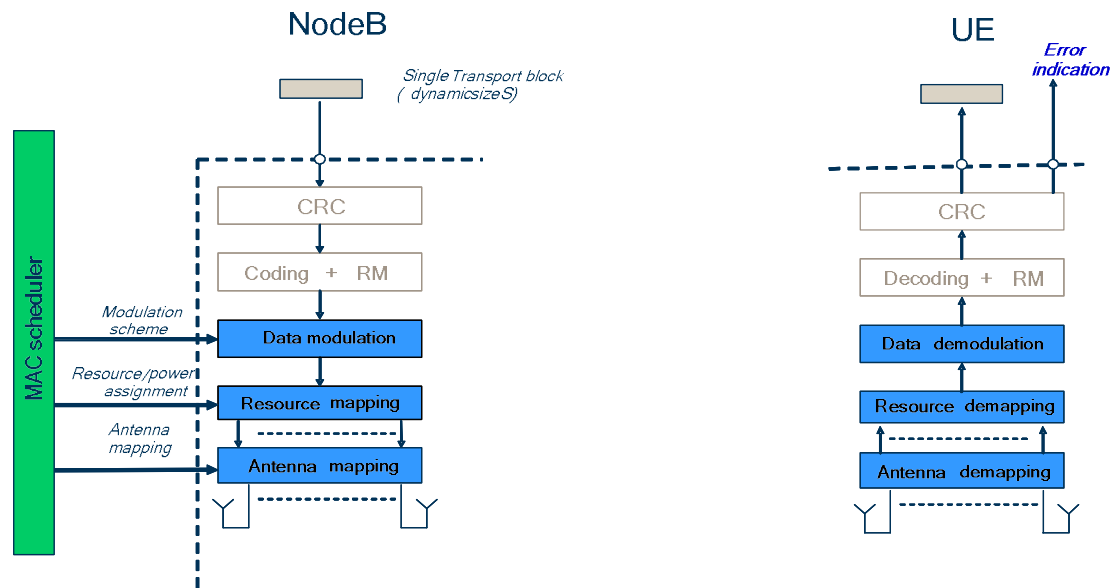


Figure 6.2.3-1: Physical-layer model for PCH transmission

6.2.4 Multicast Channel

The physical-layer model for MCH transmission is characterized by the support for multi-cell reception at the UE (a.k.a. "MBSFN" transmission). This implies that only semi-static configuration of the MCH transport format and resource assignment is possible. The MCH physical-layer model is described based on the corresponding MCH physical-layer-processing chain, see Figure 6.2.4-1. Processing steps that are relevant for the physical-layer model, e.g. in the sense that they are configurable by higher layers, are highlighted in blue.

- **Higher-layer data passed to/from the physical layer**
- One transport block delivered to physical layer once every TTI.
- **CRC and transport-block-error indication**
- Transport-block-error indication delivered to higher layers.
- **FEC and rate matching**
- Channel coding rate is implicitly given by the combination of transport block size, modulation scheme and resource assignment;
- No MCH Hybrid ARQ, i.e. no higher-layer control of redundancy version.
- **Data modulation**
- Modulation scheme is configured by RRC layer.
- **Mapping to physical resource**
- L2 controlled semi-static resource assignment.
- **Multi-antenna processing**
- MAC Scheduler partly configures mapping from assigned resource blocks (for each stream) to the available number of antenna ports.
- **Support for Hybrid-ARQ-related signalling**
- No Hybrid ARQ.

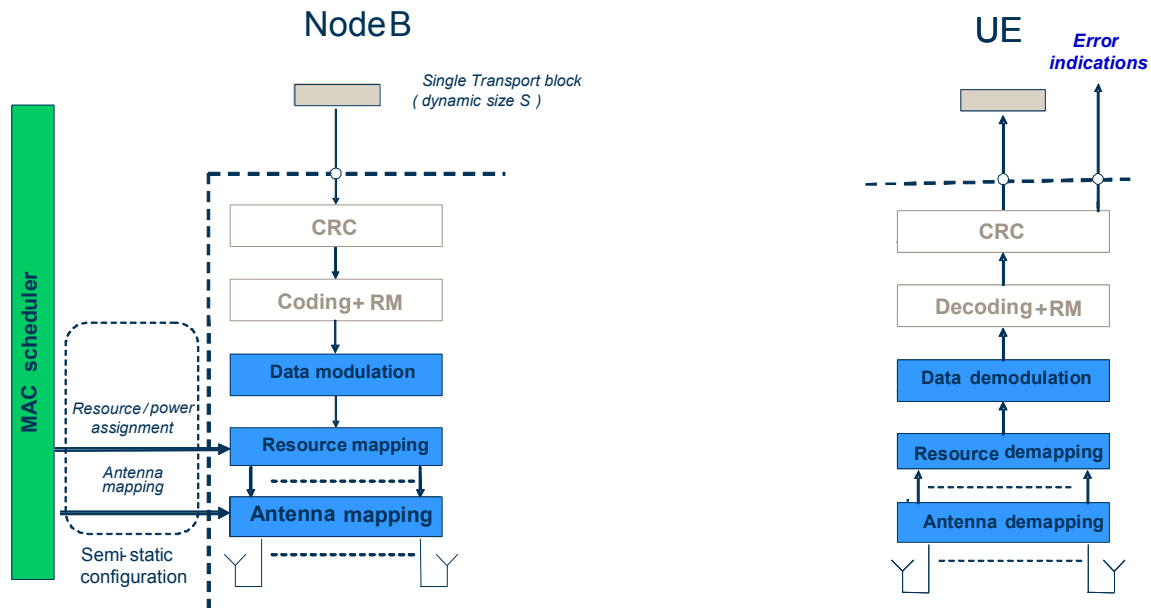


Figure 6.2.4-1: Physical-layer model for MCH transmission

6.3 Sidelink model

6.3.1 Sidelink Broadcast Channel

The physical-layer model for Sidelink Broadcast Channel transmission is characterized by a fixed pre-defined transport format. The TTI (repetition rate) of the SL-BCH not corresponding to V2X sidelink communication is 40ms whereas the TTI (repetition rate) of the SL-BCH corresponding to V2X sidelink communication is 160 ms, if a UE is configured to transmit on SL-BCH. The SL-BCH physical-layer model is described based on the corresponding SL-BCH physical-layer-processing chain, see Figure 6.3.1-1.

- **Higher-layer data passed to/from the physical layer**
- A single (fixed-size) transport block per TTI.
- **CRC and transport-block-error indication**
- Transport-block-error indication delivered to higher layers.
- **FEC and rate matching**
- Channel coding rate is implicitly given by the combination of transport block size, modulation scheme and resource assignment;
- No SL-BCH Hybrid ARQ, i.e. no higher-layer control of redundancy version.
- **Data modulation**
- Fixed modulation scheme (QPSK), i.e. no higher-layer control.
- **Mapping to physical resource**
- Fixed pre-determined transport format i.e. no higher-layer control.
- RRC controlled semi-static resource assignment.
- **Multi-antenna processing**
- Single antenna port is used.

- Support for Hybrid-ARQ-related signalling
- No Hybrid ARQ.

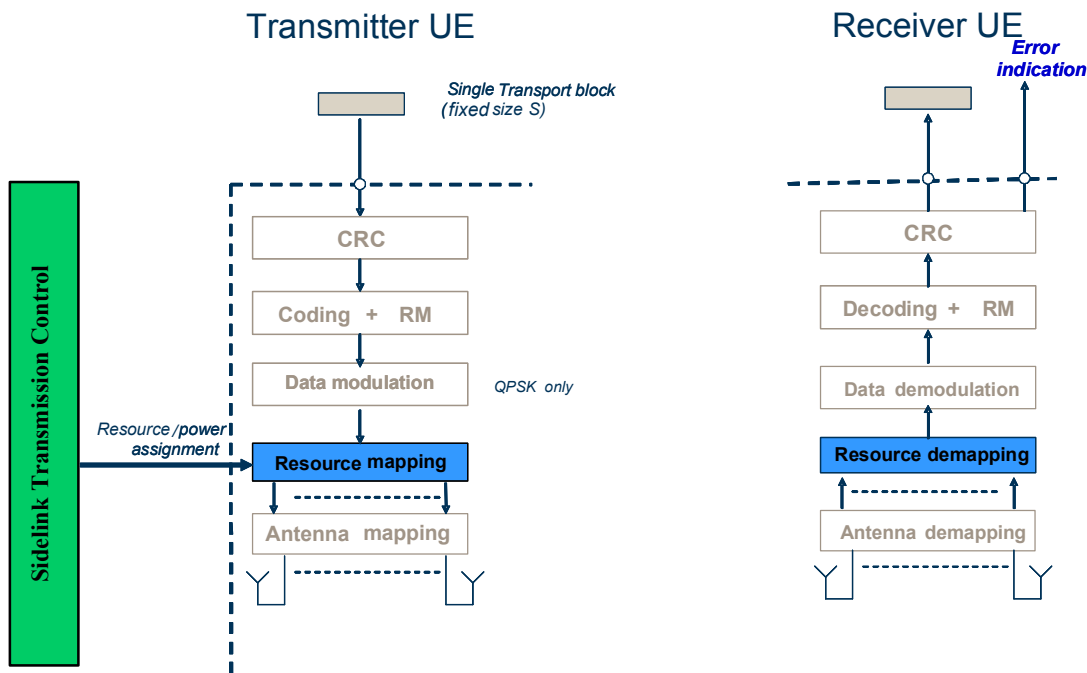


Figure 6.3.1-1: Physical-layer model for SL-BCH transmission

6.3.2 Sidelink Discovery Channel

The physical-layer model for Sidelink Discovery Channel transmission is characterized by a fixed pre-defined transport format. The SL-DCH physical-layer model is described based on the corresponding SL-DCH physical-layer-processing chain, see Figure 6.3.2-1. Processing steps that are relevant for the physical-layer model, e.g. in the sense that they are configurable by higher layers, are highlighted in blue. It should be noted that, in case scheduled resource allocation of SL-DCH, the scheduling decision is fully done by network side. The sidelink transmission control in the UE configures the sidelink physical-layer processing, based on sidelink transport-format and resource-assignment information received on the downlink. In case UE autonomous resource selection of SL-DCH, the scheduling decision is done by UE side. The sidelink transmission control in the UE configures the sidelink physical-layer processing, based on pre-defined sidelink transport-format and UE randomly selected resource-assignment.

- **Higher-layer data passed to/from the physical layer**
 - A single (fixed-size) transport block per TTI.
- **CRC and transport-block-error indication**
 - Transport-block-error indication delivered to higher layer.
- **FEC and rate matching**
 - Channel coding rate is implicitly given by the combination of transport block size, modulation scheme and resource assignment;
 - Support for soft combining, but no support for ACK/NACK feedback.
- **Data modulation**
 - Fixed modulation scheme (QPSK), i.e. no higher-layer control.
- **Mapping to physical resource**
 - RRC controlled semi-static resource assignment;

- **Multi-antenna processing**
- Single antenna port is used.

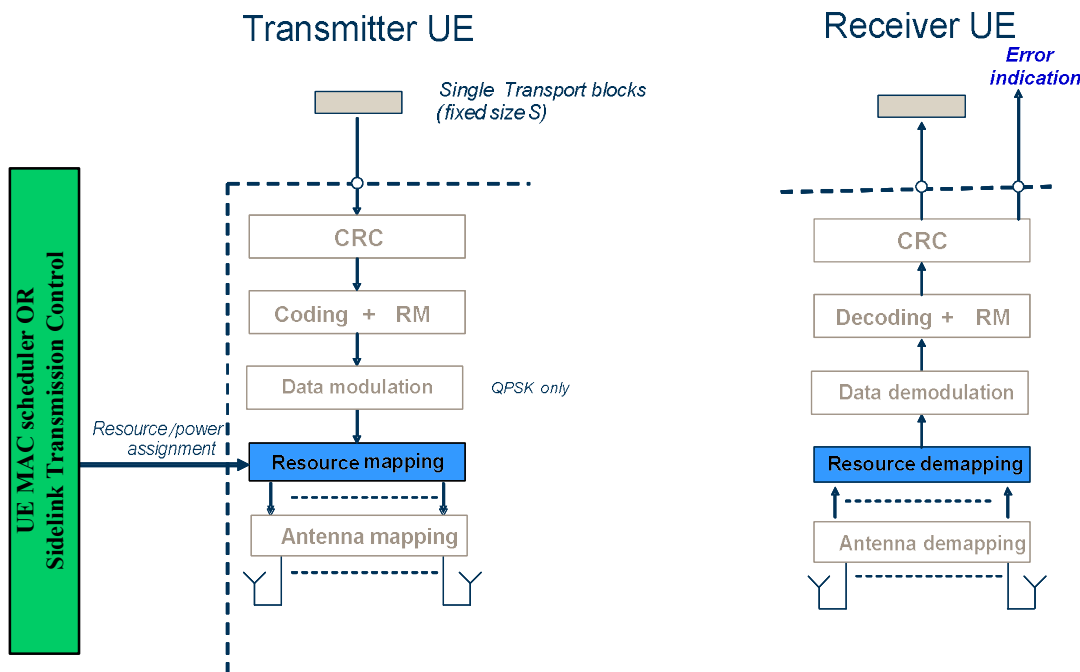


Figure 6.3.2-1: Physical-layer model for SL-DCH transmission

6.3.3 Sidelink Shared Channel

The physical-layer model for Sidelink Shared Channel transmission is described based on the corresponding SL-SCH physical-layer-processing chain, see Figure 6.3.3-1. Processing steps that are relevant for the physical-layer model, e.g. in the sense that they are configurable by higher layers, are highlighted in blue on the figure. It should be noted that, in case of scheduled resource allocation, the SL-SCH scheduling decision is done by network side. The sidelink transmission control in the UE configures the sidelink physical-layer processing, based on sidelink transport-format and resource-assignment information received on the downlink. In case of UE autonomous resource selection, the SL-SCH scheduling decision is done by UE side, and the MAC scheduler in the UE configures the sidelink physical-layer processing, based on the sidelink transport-format autonomously decided by the UE and autonomously selected resource-assignment.

- **Higher-layer data passed to/from the physical layer**
- One transport block of dynamic size delivered to the physical layer once every TTI.
- **CRC and transport-block-error indication**
- Transport-block-error indication delivered to higher layers.
- **FEC and rate matching**
- Channel coding rate is implicitly given by the combination of transport block size, modulation scheme and resource assignment;
- Support for soft combining, but no support for ACK/NACK feedback.
- **Data modulation**
- For scheduled resource allocation, modulation scheme is decided by higher layer signaling from eNB.
- For UE autonomous resource selection for sidelink communication, modulation scheme is decided by MAC scheduler (QPSK, 16QAM) in transmitter UE.

- For UE autonomous resource selection for V2X sidelink communication, modulation scheme is decided by MAC scheduler in transmitter UE, according to the range defined by higher layer signalling from eNB or preconfiguration if configured.
- **Mapping to physical resource**
- L2-controlled resource assignment.
- **Multi-antenna processing**
- Single antenna port is used.

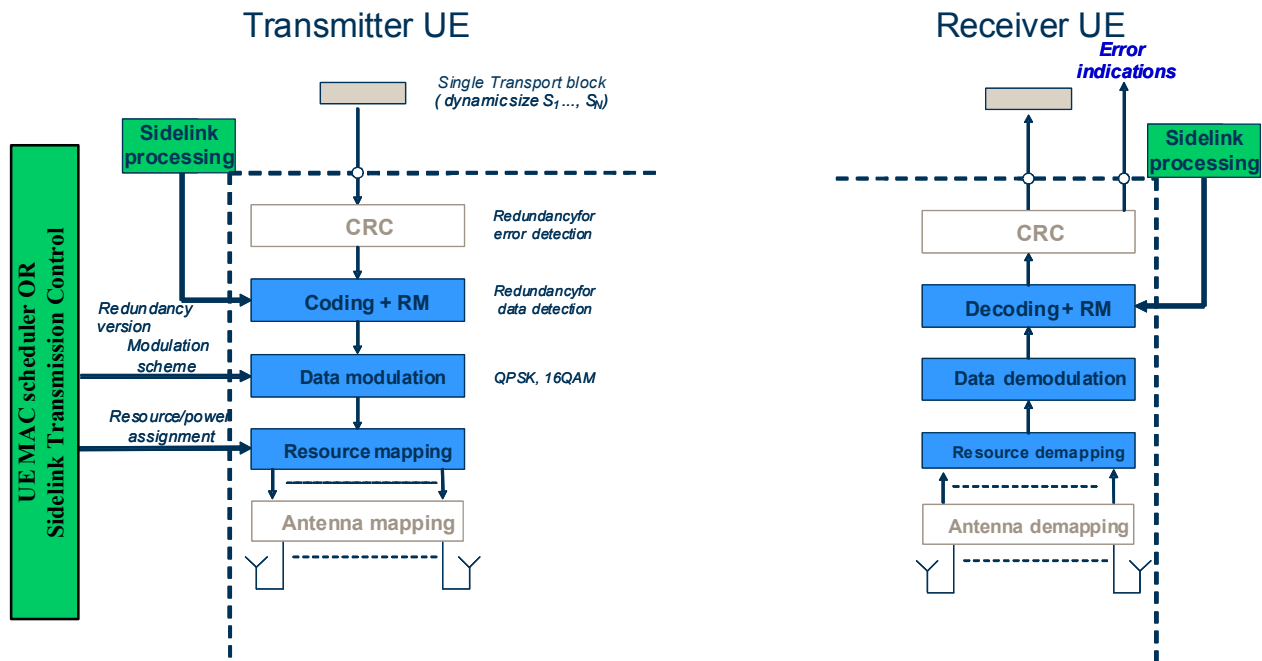


Figure 6.3.3-1: Physical-layer model for SL-SCH transmission

7 Void

8 Parallel transmission of simultaneous Physical Channels and SRS

This clause describes the requirements from the UE to send and receive on multiple Physical and Transport Channels and SRS simultaneously depending on the service capabilities and requirements.

8.1 Uplink

The table 8.1-1 describes the possible combinations of physical channels that can be sent in parallel in the uplink within the same subframe/slot/subslot. For NB-IoT, see Table 8.1-1a.

Table 8.1-1: Uplink

	Physical Channel Combination	Transport Channel Combination	Mandatory dependent on UE radio access capabilities	Comment
1	$q \times$ PUSCH	UL-SCH	Mandatory	Note 1, Note 2, Note 6
2	$k \times$ PRACH	RACH	Mandatory	Note 4
3	$j \times k \times$ PUCCH	N/A	Mandatory	CSI (not on SPUCCH) and Scheduling Requests are provided to Layer 2. Note 4, Note5, Note 6
4	$q \times$ PUSCH $+ j \times k \times$ PUCCH	UL-SCH	Mandatory for UEs supporting simultaneous transmission of PUSCH and PUCCH	Note1, Note 2, Note 4, Note5, Note 6
5	$k \times$ PRACH $+(q-k) \times$ PUSCH	RACH UL-SCH	Mandatory for UEs supporting multiple TAGs	Note 1, Note 2, Note 3, Note 4, Note 6
6	$k \times$ PRACH $+ j \times$ $k \times$ PUCCH	RACH	Mandatory for UEs supporting multiple TAGs	Note 3, Note 4, Note5, Note 6
7	$k \times$ PRACH $+(q-k) \times$ PUSCH $+ j \times k \times$ PUCCH	RACH UL-SCH	Mandatory for UEs supporting simultaneous transmission of PUSCH and PUCCH and multiple TAGs	Note 1, Note 2, Note 3, Note 4, Note5, Note 6
Note 1: One PUSCH per UL CC. Note 2: q is the number of UL CCs supported by the UE. $q = 1$ implies non-CA capable UE. Note 3: PRACH and PUSCH/PUCCH/SPUCCH are from cells in different Timing Advance Groups [12]. Note 4: k is the number of CGs supported by the UE. $k = 1$ implies non-DC capable UE. $k = 2$ implies DC capable UE, and one PUCCH/SPUCCH and one PRACH per CG. Note 5: j is the number of PUCCH groups supported by the UE. $j = 1$ implies PUCCH/SPUCCH transmission is supported only on PCell. $j = 2$ implies PUCCH/SPUCCH transmission is supported on PCell and an SCell. Note 6: Short TTI capable UEs shall support this Physical Channel Combination also for the subslot/slot equivalent of the mentioned channels (if existing).				

Table 8.1-1a: Uplink for NB-IoT

	Physical Channel Combination	Transport Channel Combination	Mandatory dependent on UE radio access capabilities	Comment
1	NPUSCH	UL-SCH	Mandatory	
2	NPRACH	RACH	Mandatory	

The table 8.1-2 describes the possible combinations of SRS and physical channels that can be sent in parallel in uplink in the last symbol within the same subframe/slot/subslot by one UE. Table 8.1-2 is not applicable for NB-IoT.

Table 8.1-2: Uplink in combinations with SRS

	Physical Channel and SRS Combination	Transport Channel Combination	Mandatory dependent on UE radio access capabilities	Comment
1	$q \times \text{SRS}$	N/A	Mandatory	Note 2, Note 4
2	$k \times \text{PRACH} + (q-k) \times \text{SRS}$	RACH	Mandatory for UEs supporting multiple TAGs	Note 2, Note 3, Note 4, Note 7
3	$n \times \text{PUSCH} + (q-n) \times \text{SRS}$	UL-SCH	Mandatory for UEs supporting multiple TAGs	Note 1, Note 2, Note 4, Note 5, Note 6, Note 9
4	$j \times k \times \text{PUCCH} + (q-j \times k) \times \text{SRS}$	N/A	Mandatory for UEs supporting multiple TAGs	Note 2, Note 4, Note 6, Note 7, Note 8, Note 9
5	$n \times \text{PUSCH} + j \times k \times \text{PUCCH} + (q-n) \times \text{SRS}$	UL-SCH	Mandatory for UEs supporting simultaneous transmission of PUSCH and PUCCH and multiple TAGs	Note 1, Note 2, Note 4, Note 5, Note 6, Note 7, Note 8, Note 9
6	$k \times \text{PRACH} + n \times \text{PUSCH} + (q-n-k) \times \text{SRS}$	RACH UL-SCH	Mandatory for UEs supporting multiple TAGs	Note 1, Note 2, Note 3, Note 4, Note 5, Note 6, Note 7, Note 9
7	$k \times \text{PRACH} + j \times k \times \text{PUCCH} + (q-(j+1) \times k) \times \text{SRS}$	RACH	Mandatory for UEs supporting multiple TAGs	Note 2, Note 3, Note 4, Note 6, Note 7, Note 8, Note 9
8	$k \times \text{PRACH} + n \times \text{PUSCH} + j \times k \times \text{PUCCH} + (q-n-k) \times \text{SRS}$	RACH UL-SCH	Mandatory for UEs supporting simultaneous transmission of PUSCH and PUCCH and multiple TAGs	Note 1, Note 2, Note 3, Note 4, Note 5, Note 6, Note 7, Note 8, Note 9
<p>Note 1: One PUSCH per UL CC. Note 2: q is the number of UL CCs supported by the UE. $q = 1$ implies non-CA capable UE. Note 3: PRACH and PUSCH/PUCCH/SPUCCH/SRS are from cells in different TAGs [12]. Note 4: One SRS per UL CC. Note 5: $n = 1, 2, \dots, q-k$. Note 6: If UE is not configured with multiple TAGs, then SRS and PUSCH/PUCCH are not transmitted in parallel; otherwise, if UE is configured with multiple TAGs, then SRS and PUSCH/PUCCH are transmitted in parallel from different serving cells of the same TAG or different TAGs. Note 7: k is the number of CGs supported by the UE. $k = 1$ implies non-DC capable UE. $k = 2$ implies DC capable UE, and one PUCCH/SPUCCH and one PRACH per CG. Note 8: j is the number of PUCCH groups supported by the UE. $j = 1$ implies PUCCH/SPUCCH transmission is supported only on PCell. $j = 2$ implies PUCCH/SPUCCH transmission is supported on PCell and an SCell. Note 9: Short TTI capable UEs shall support this Physical Channel Combination also for the subslot/slot equivalent of the mentioned channels (if existing).</p>				

8.2 Downlink

The tables describe the possible combinations of physical channels that can be received in parallel in the downlink in the same subframe by one UE. In one subframe, the UE shall be able to receive all TBs according to the indication on PDCCH. Tables 8.2-1, 8.2-1a, 8.2-2 and 8.2-2a are applicable to LTE; Tables 8.2-1b and 8.2-2b are applicable to NB-IoT.

Table 8.2-1: Downlink "Reception Types" except for NB-IoT UEs, BL UEs and UEs in enhanced coverage

"Reception Type"	Physical Channel(s)	Monitored RNTI	Associated Transport Channel
A	PBCH	N/A	BCH
B	PDCCH+PDSCH	SI-RNTI	DL-SCH
B1	PDCCH+PDSCH	SI-RNTI (Note 11)	DL-SCH
C	PDCCH+PDSCH	P-RNTI	PCH
D	PDCCH+PDSCH	RA-RNTI (Note 3)	DL-SCH
		Temporary C-RNTI (Note 3) (Note 4)	DL-SCH
	((PDCCH+SPDCCH)/EPDCCH) +(PDSCH/slot/subslot PDSCH)	C-RNTI and Semi-Persistent Scheduling C-RNTI	DL-SCH
	((PDCCH+SPDCCH)/EPDCCH) +(PDSCH+subslot/slot PDSCH) (Note 14)	C-RNTI and Semi-Persistent Scheduling C-RNTI	DL-SCH
D1	((PDCCH+SPDCCH)/EPDCCH) +(PDSCH/subslot/slot PDSCH) (Note 9)	C-RNTI	DL-SCH
	((PDCCH+SPDCCH)/EPDCCH) +(PDSCH+subslot/slot PDSCH) (Note 9, Note 14)	C-RNTI	DL-SCH
D2	PDCCH+PDSCH	SC-RNTI	DL-SCH
		G-RNTI	DL-SCH
D3	((PDCCH+SPDCCH)/EPDCCH) +(PDSCH/subslot/slot PDSCH)	C-RNTI and Semi-Persistent Scheduling C-RNTI	DL-SCH
	((PDCCH+SPDCCH)/EPDCCH) +(PDSCH+subslot/slot PDSCH) (Note 14)	C-RNTI and Semi-Persistent Scheduling C-RNTI	DL-SCH
	PDCCH+PDSCH	SC-RNTI	DL-SCH
G-RNTI		DL-SCH	
E	(PDCCH+SPDCCH)/EPDCCH (Note 1)	C-RNTI	N/A
F	PDCCH	Temporary C-RNTI (Note 5)	UL-SCH
	(PDCCH+SPDCCH)/EPDCCH	C-RNTI and Semi-Persistent Scheduling C-RNTI	UL-SCH
F1	(PDCCH+SPDCCH)/EPDCCH (Note 9)	C-RNTI	UL-SCH
G	PDCCH	TPC-PUCCH-RNTI	N/A
H	PDCCH	TPC-PUSCH-RNTI	N/A
I	(PDCCH+SPDCCH)/EPDCCH	Semi-Persistent Scheduling C-RNTI (Note 6)	N/A
J	(PDCCH+SPDCCH)/EPDCCH	Semi-Persistent Scheduling C-RNTI (Note 7)	N/A

K	PDCCH	M-RNTI (Note 8)	N/A
K1	PDCCH	SC-N-RNTI	N/A
K2	PDCCH	M-RNTI	N/A
L	PMCH	N/A (Note 8)	MCH
M	PDCCH	eIMTA-RNTI	N/A
N	PDCCH/EPDCCH	SL-RNTI	SL-SCH
N1	PDCCH/EPDCCH	SL-V-RNTI	SL-SCH
N2	PDCCH/EPDCCH	SL Semi-Persistent Scheduling V-RNTI	SL-SCH
O	PDCCH	CC-RNTI	N/A
P	PDCCH	SRS-TPC-RNTI (Note 10)	N/A
Q	PDCCH/EPDCCH	UL Semi-Persistent Scheduling V-RNTI	UL-SCH
Q1	PDCCH/EPDCCH	UL Semi-Persistent Scheduling V-RNTI (Note 12)	N/A
R	PDCCH/EPDCCH	SL Semi-Persistent Scheduling V-RNTI (Note 13)	N/A

- Note 1: PDCCH, SPDCCH or EPDCCH is used to convey PDCCH order for Random Access.
- Note 2: Void.
- Note 3: RA-RNTI and Temporary C-RNTI are mutually exclusive and only applicable during Random Access procedure.
- Note 4: Temporary C-RNTI is only applicable when no valid C-RNTI is available.
- Note 5: Temporary C-RNTI is only applicable during contention-based Random Access procedure.
- Note 6: Semi-Persistent Scheduling C-RNTI is used for DL Semi-Persistent Scheduling release.
- Note 7: Semi-Persistent Scheduling C-RNTI is used for UL Semi-Persistent Scheduling release.
- Note 8: In MBSFN subframes only
- Note 9: DL-SCH reception corresponding to D1, and UL-SCH transmission corresponding to F1, are only applicable to SCells.
- Note 10: SRS-TPC-RNTI is used to trigger group SRS and TPC for SRS-only SCells.
- Note 11: For MBMS-dedicated carrier, SI-RNTI may be assigned with two values which may be used in same subframe.
- Note 12: Used for release of an UL Semi-Persistent Scheduling associated with UL Semi-Persistent Scheduling V-RNTI.
- Note 13: Used for release of an SL Semi-Persistent Scheduling associated with SL Semi-Persistent Scheduling V-RNTI.
- Note 14: For a UE indicating the capability of decoding PDSCH and subslot/slot PDSCH assigned with C-RNTI/SPS C-RNTI in the same subframe for a given carrier.

Table 8.2-1a: Downlink "Reception Types" for BL UEs and UEs in enhanced coverage

"Reception Type"	Physical Channel(s)	Monitored RNTI	Associated Transport Channel
A	PBCH	N/A	BCH
B	MPDCCH (Note 1)	C-RNTI	N/A
C	MPDCCH	TPC-PUCCH-RNTI	N/A
D	MPDCCH	TPC-PUSCH-RNTI	N/A
D1	MPDCCH (Note 7)	SC-RNTI	DL-SCH
		G-RNTI	DL-SCH
E	MPDCCH	Semi-Persistent Scheduling C-RNTI (Note 2)	N/A
F	MPDCCH	Semi-Persistent Scheduling C-RNTI (Note 3)	N/A
G	MPDCCH (Note 4)	RA-RNTI	DL-SCH
		Temporary C-RNTI	UL-SCH
		Temporary C-RNTI	DL-SCH
		P-RNTI	PCH
H	PDSCH (Note 5)	SI-RNTI	DL-SCH
		P-RNTI	PCH
		Temporary C-RNTI	DL-SCH
		RA-RNTI	DL-SCH
H1	PDSCH (Note 7)	SC-RNTI	DL-SCH
		G-RNTI	DL-SCH
I	MPDCCH	Temporary C-RNTI (Note 6)	UL-SCH
		C-RNTI and Semi-Persistent Scheduling C-RNTI	UL-SCH
J	MPDCCH	C-RNTI and Semi-Persistent Scheduling C-RNTI	DL-SCH
K	PDSCH (Note 5)	C-RNTI and Semi-Persistent Scheduling C-RNTI	DL-SCH
L	MWUS	N/A	N/A

Note 1: MPDCCH is used to convey PDCCH order for Random Access.
Note 2: Semi-Persistent Scheduling C-RNTI is used for DL Semi-Persistent Scheduling release.
Note 3: Semi-Persistent Scheduling C-RNTI is used for UL Semi-Persistent Scheduling release.
Note 4: RA-RNTI, P-RNTI, and Temporary C-RNTI are not required to be simultaneously monitored.
Note 5: All RNTIs listed in the reception type are mutually exclusive.
Note 6: Temporary C-RNTI is only applicable during contention-based Random Access procedure.
Note 7: SC-RNTI and G-RNTI are not required to be simultaneously monitored.

Table 8.2-1b: Downlink "Reception Types" for NB-IoT UEs

"Reception Type"	Physical Channel(s)	Monitored RNTI	Associated Transport Channel
A	NPBCH	N/A	BCH
B	NPDCCH (Note 2)	C-RNTI	N/A
C	NPDCCH	P-RNTI	PCH
D	NPDCCH	RA-RNTI (Note 1)	DL-SCH
		Temporary C-RNTI (Note 1)	
D1	NPDCCH (Note 3)	SC-RNTI	DL-SCH
		G-RNTI	DL-SCH
E	NPDSCH	N/A	DL-SCH
F	NPDCCH	C-RNTI	DL-SCH
G	NPDCCH	C-RNTI	UL-SCH
H	NWUS	N/A	N/A
I	NPDCCH	Semi-Persistent Scheduling C-RNTI (Note 4)	N/A
J	NPDCCH	Semi-Persistent Scheduling C-RNTI	UL-SCH
Note 1: RA-RNTI and Temporary C-RNTI are mutually exclusive and only applicable during Random Access procedure. Note 2: NPDCCH is used to convey PDCCH order for Random Access. Note 3: SC-RNTI and G-RNTI are not required to be simultaneously monitored. Note 4: Semi-Persistent Scheduling C-RNTI is used for releasing SR with SPS BSR.			

Table 8.2-2: Downlink "Reception Type" Combinations except for NB-IoT UEs, BL UEs and UEs in enhanced coverage

The "Reception Type" used in this table refers to the "Reception Type" in Table 8.2-1.

	PCell	PSCell	SCell	Non-serving cell
1. RRC_IDLE				
1.1 All UEs	A + B + C + D			
	Remarks: The combination for Random Access procedure is only required, related to D.			
1.2 UEs supporting MBMS	K + L			
1.3 UEs supporting SC-PTM	K1 + D2			
2. RRC_CONNECTED				
2.1 All UEs	A + B + (D or E or G or I) + (F or H or J) + M	A + (D or E or G or I) + (F or H or J) + M	(E or D1) + F1	
2.2 UEs supporting FS2	A + B + (D or E or G or I) + (F or H or J) + F + M	A + (D or E or G or I) + (F or H or J) + F + M	(E or D1) + (F1 or P)	
	Remarks: For TDD UL/DL configuration 0, two PDCCHs or EPDCCHs can be received in the same subframe for UL-SCH in two different uplink subframes.			
2.2a UEs supporting FS3			D1 + F1 + O	
	Remarks: For FS3, up to four PDCCHs or EPDCCHs can be received in the same subframe for LAA UL-SCH in different FS3 uplink subframes.			
2.3 UEs supporting MBMS	((E or G or I) + L + K) or (A + B + D) + (F or H or J) + M	((E or G or I) + L + K) or (A + B + D) + (F or H or J) + M	(E + L + K) or (D1 + B) + F1	(A + B) or (L + K)
	Remarks: The combination is the requirement when MBMS reception is on PCell and/or any other cell. r is the number of DL CCs on which the UE supports MBMS reception according to the MBMSInterestIndication. The number of L and the number of $K \leq r$.			
	Remarks: It is not required to simultaneously receive EPDCCH and PMCH on the same cell.			
2.3a UEs supporting FeMBMS			(D1 + B + K2) or (L + K2) + F1	(A + B1 + K2) or (L + K2)
	Remarks: The combination is the requirement when MBMS reception is on PCell and/or any other cell. r is the number of DL CCs on which the UE supports MBMS reception according to the MBMSInterestIndication. The number of L and the number of $K2 \leq r$.			
	Remarks: It is not required to simultaneously receive EPDCCH and PMCH on the same cell.			
2.4 MBMS UEs supporting FS2	((E or G or I) + L + K) or (A + B + D) + 1x(F or H or J) + F + M	((E or G or I) + L + K) or (A + B + D) + 1x(F or H or J) + F + M	(E + L + K) or (D1 + B) + (F1 or P)	(A + B) or (L + K)
	Remarks: For TDD UL/DL configuration 0, two PDCCHs or EPDCCHs can be received in the same subframe for UL-SCH in two different uplink subframes.			
	Remarks: The combination is the requirement when MBMS reception is on PCell and/or any other cell. r is the number of DL CCs on which the UE supports MBMS reception according to the MBMSInterestIndication. The number of L and the number of $K \leq r$.			
	Remarks: It is not required to simultaneously receive EPDCCH and PMCH on the same cell.			
2.5 UEs supporting ETWS and CMAS	A + B + C + (D or E or G or I) + (F or H or J) + M	A + (D or E or G or I) + (F or H or J) + M	(E or D1) + F1	
2.6 ETWS and CMAS UEs supporting FS2	A + B + C + (D or E or G or I) + (F or H or J) + F + M	A + (D or E or G or I) + (F or H or J) + F + M	(E or D1) + (F1 or P)	
	Remarks: For TDD UL/DL configuration 0, two PDCCHs or EPDCCHs can be received in the same subframe for UL-SCH in two different uplink subframes.			
2.7 UEs supporting sidelink communication	A + B + (D or E or G or I) + (F or H or J) + M + N			
2.7a UEs supporting V2X sidelink communication	A + B + (D or E or G or I) + (F or H or J or Q or Q1) + M + N1 + (N2 or R)			
2.7b UEs supporting V2X sidelink communication	A + B + (D or E or G or I) + (F or H or J or Q or Q1) + M			
	Remarks: The 2.7 and 2.7a combination is the requirement when the UE is configured in			

	scheduled resource allocation mode, and the 2.7b combination is the requirement when the UE is configured in autonomous resource selection mode.			
2.8 UEs supporting SC-PTM	$A + B + (D \text{ or } (K1 + D2) \text{ or } (K1 + D3) \text{ or } E \text{ or } G \text{ or } I) + (F \text{ or } H \text{ or } J) + M$	$A + B + (D \text{ or } (K1 + D2) \text{ or } (K1 + D3) \text{ or } E \text{ or } G \text{ or } I) + (F \text{ or } H \text{ or } J) + M$	$B + (D1 \text{ or } (K1 + D2) \text{ or } (K1 + D3) \text{ or } E) + F1$	$A + B + K1 + D2$
	Remarks: The combination is the requirement when SC-PTM reception is on PCell and/or any other cell. r is the number of DL CCs on which the UE supports SC-PTM reception according to the MBMSInterestIndication. The number of K1 and the number of D2 $\leq r$.			
2.9 SC-PTM UEs supporting FS2	$A + B + (D \text{ or } (K1 + D2) \text{ or } (K1 + D3) \text{ or } E \text{ or } G \text{ or } I) + (F \text{ or } H \text{ or } J) + F + M$	$A + B + (D \text{ or } (K1 + D2) \text{ or } (K1 + D3) \text{ or } E \text{ or } G \text{ or } I) + (F \text{ or } H \text{ or } J) + F + M$	$B + (D1 \text{ or } (K1 + D2) \text{ or } (K1 + D3) \text{ or } E) + (F1 \text{ or } P)$	$A + B + K1 + D2$
	Remarks: For TDD UL/DL configuration 0, two PDCCHs or EPDCCHs can be received in the same subframe for UL-SCH in two different uplink subframes. Remarks: The combination is the requirement when SC-PTM reception is on PCell and/or any other cell. r is the number of DL CCs on which the UE supports SC-PTM reception according to the MBMSInterestIndication. The number of K1 and the number of D2 $\leq r$.			
NOTE 1: p is the number of DL CCs supported by the UE. The number of D1 is $\leq (p-1)$. q is the number of UL CCs supported by the UE. For UE not supporting FS2, the number of F1 is $\leq (q-1)$. For UE supporting FS2, the number of F1 is $\leq 2 \times (q-1)$. $q = p = 1$ implies non-CA capable UE. Only 1xM is possible at any subframe over all serving cells. 1xM is included if UE supports eIMTA.				
NOTE 2: The UE is only required to receive one PDSCH, pertaining to D or D1 or D2 (if the UE supports SC-PTM) or D3 (if the UE supports the parallel reception of unicast and SC-PTM), per DL CC.				
NOTE 3: If a UE indicating category 0 is scheduled with PDSCH transmissions exceeding its processing capability as specified in TS 36.306 [13], the prioritization between these PDSCH transmissions is up to the UE implementation.				
NOTE 4: Combination involving EPDCCH is optional and required only for UE supporting EPDCCH.				
NOTE 5: Combination involving SPDCCH and/or subslot/slot PDSCH is optional and required only for UE supporting SPDCCH and/or subslot/slot PDSCH.				

Table 8.2-2a: Downlink "Reception Type" Combinations for BL UEs and UEs in enhanced coverage

The "Reception Type" used in this table refers to the "Reception Type" in Table 8.2-1a.

	PCell
1. RRC_IDLE	
1.1 All UEs	A or G or H
1.2 UEs supporting SC-PTM	A or G or H or (D1 + H1)
1.3 UEs supporting MWUS	A or G or H or L
2. RRC_CONNECTED	
2.1 All UEs	$A \text{ or } ((J \text{ or } C \text{ or } E \text{ or } B) + (I \text{ or } D \text{ or } F) + K) \text{ or } G \text{ or } H$
	Remarks: The combination for Random Access procedure is only required, related to G and H.
2.2 UEs supporting FS2	$A \text{ or } ((J \text{ or } C \text{ or } E \text{ or } B) + (I \text{ or } D \text{ or } F) + I + K) \text{ or } G \text{ or } H$
	Remarks: For TDD UL/DL configuration 0, two MPDCCHs can be received in the same subframe for UL-SCH in two different uplink subframes, which is only applicable for UEs configured with CE mode A with no repetitions.
	Remarks: The combination for Random Access procedure is only required, related to G and H.

NOTE: Any subset of the combinations specified in table 8.2-2 and 8.2-2a are also supported.

The "reception type" names in Table 8.2-2b refer to the "reception types" from Table 8.2-1b.

Table 8.2-2b: Downlink "Reception Type" Combinations for NB-IoT UEs

	PCell
1. RRC_IDLE	
1.1 All UEs	A or C or D or E
	Remarks: The combination for Random Access procedure is only required, related to D.
1.2 UEs supporting SC-PTM	A or C or D or E or D1
1.3 UEs supporting NWUS	A or C or D or E or H
2. RRC_CONNECTED	
2.1 All UEs	A or B or D or F or G or E
2.2 UEs supporting SR with SPS BSR	A or B or D or F or G or E or I or J

8.3 Sidelink

The table 8.3-1 describes the possible combinations of physical channels that can be sent in parallel from UE perspective in the sidelink within the same subframe. Table 8.3-2 describes the possible combinations of physical channels that can be received in parallel from UE perspective in the sidelink within the same subframe.

Table 8.3-1: Sidelink transmission

	Physical Channel Combination	Transport Channel Combination	Mandatory dependent on UE radio access capabilities	Comment
1	PSDCH	SL-DCH	Mandatory for UE supporting sidelink discovery	The UE supporting sidelink discovery transmits sidelink discovery messages on the camped cell (idle) or PCell (connected).
2	PSBCH	SL-BCH	Mandatory for UE supporting sidelink communication or V2X sidelink communication	The UE supporting sidelink communication or V2X sidelink communication transmits MasterInformationBlock-SL messages in PSBCH on one preconfigured frequency.
3	PSSCH	SL-SCH	Mandatory for UE supporting sidelink communication or V2X sidelink communication	The UE supporting sidelink communication or V2X sidelink communication transmits sidelink data in PSSCH on one preconfigured frequency.
4	PSCCH	N/A	Mandatory for UE supporting sidelink communication or V2X sidelink communication	The UE supporting sidelink communication or V2X sidelink communication transmits sidelink control information in PSCCH on one preconfigured frequency.
NOTE:	Depending on the UE capability, the UE may be able to perform simultaneous Uplink and Sidelink transmissions. If the UE is unable to perform simultaneous Uplink and Sidelink transmissions, transmissions are prioritized according to [12].			
NOTE:	Depending on the UE capability, the UE may be able to perform simultaneous sidelink communication transmissions (PSBCH or PSSCH or PSCCH) and sidelink discovery transmission (PSDCH). If the UE is unable to perform simultaneous transmission of sidelink communication and discovery, transmissions are prioritized according to [12].			

Table 8.3-2: Sidelink reception

	Physical Channel Combination	Transport Channel Combination	Mandatory dependent on UE radio access capabilities	Comment
1	PSDCH	SL-DCH	Mandatory for UE supporting sidelink discovery	
2	PSBCH	SL-BCH	Mandatory for UE supporting sidelink communication or V2X sidelink communication	
3	PSSCH	SL-SCH	Mandatory for UE supporting sidelink communication or V2X sidelink communication	
4	PSCCH	N/A	Mandatory for UE supporting sidelink communication or V2X sidelink communication	
<p>NOTE: For sidelink communication, the UE shall be able to perform simultaneous Downlink and sidelink communication reception. For sidelink discovery, depending on the UE capability, the UE may be able to perform simultaneous Downlink and sidelink discovery receptions. If the UE is unable to perform simultaneous Downlink and sidelink discovery receptions, receptions are prioritized according to [12]. For V2X sidelink communication, the UE shall be able to perform simultaneous Downlink and V2X sidelink communication reception.</p> <p>NOTE: If the configured resources for reception of sidelink communication and sidelink discovery are overlapped, receptions are prioritized according to [12].</p>				

9 Measurements provided by the physical layer

9.1 Void

9.2 UE Measurements

The list and detailed definition of UE measurements definition is provided in [11].

9.3 E-UTRAN Measurements

The list and detailed definition of E-UTRAN measurements definition is provided in [11].

Annex A (informative): Change history

Change history							
Date	TSG #	TSG Doc.	CR	Rev	Cat	Subject/Comment	New version
11/2006	RP-34	RP-060795	-			First version : presented at TSG-RAN #34 and TSG-RAN WG2 #56 (11/2006)	0.0.0
05/2007	RP-36	RP-xyztu				Update including physical layer modelling: submitted at TSG-RAN WG2 #58 (05/2006)	0.0.1
06/2007	RP-37	R2-072502				Update including physical Services and functions of the Physical Layer: presented and TSG-RAN WG2 #58bis (06/2006)	0.0.2
06/2007	RP-37	R2-072931				Update after presentation at TSG-RAN WG2 #58bis : physical channel channel terminology used	0.1.0
09/2007	RP-37	RP-070686				Removal of editor's notes. Presented at TSG-RAN #37 for information	1.0.0
10/2007	R2-59bis	R2-074579				Agreements in RAN1 LS received at RAN2#59 have to be implemented in the specification (by RAN2#59bis): Parallel reception of Physical Broadcast Channel (PBCH) and DL-SCH in the same TTI is feasible; 2 new measurements were introduced for LTE, UE measurement "Reference Signal Received Quality (RSRQ)" and eNode B measurement "DL RS TX power".	1.0.2
10/2007	R2-59bis	R2-074584				Removal of incorrect Parallel reception of physical channels	1.0.3
11/2007	RP-38	RP-070914				Submission to RAN for RAN#38 approval	2.0.0
12/2007	RP-38	-				Apprvped at TSG RAN-38 and placed under change control	8.0.0
03/2009	RP-43	RP-090124	0002	-		Proposed CR on Parallel reception in LTE	8.1.0
	RP-43	RP-090124	0004	-		Correction of out-of-date information	8.1.0
06/2009	RP-44	RP-090509	0005	1		Correction of MBMS	8.2.0
	RP-44	RP-090509	0006	-		Downlink reception types	8.2.0
	RP-44	RP-090509	0009	-		Simultaneous reception of transport channels in the LTE	8.2.0
	RP-44	RP-090509	0010	-		Clarification on the parallel receptions for PDSCHs	8.2.0
12/2009	RP-46	RP-091341	0011	-		Addition of MBMS reception types	9.0.0
	RP-46	RP-091346	0012	-		Remove FFSs from RAN2 specifications	9.0.0
	RP-46	RP-091345	0014	-		Proposed CR to 36.302 on Introduction of CMAS	9.0.0
03/2010	RP-47	RP-100308	0019	1		Correction to RSRP and RSRQ definition with Receiver Diversity to align with TS 36.214	9.1.0
06/2010	RP-48	RP-100556	0020	-		Correction to RSRQ definition to align with TS 36.214	9.2.0
12/2010	RP-50	RP-101226	0021	3		Introduction of CA to TS36.302	10.0.0
03/2011	RP-51	RP-110289	0022	1		Correction to parallel reception and transmission for CA	10.1.0
	RP-51	RP-110270	0025	-		Corrections to TS36.302 on MBMS	10.1.0
	RP-51	RP-110289	0026	-		Update and correction to TS36.302 for CA	10.1.0
06/2011	RP-52	RP-110839	0028	-		DL Assignment in MBSFN Subframe	10.2.0
12/2011	RP-54	RP-111716	0029	-		Corrections to channel model	10.3.0
03/2012	RP-55	RP-120326	0030	1		Correction to the combination of physical uplink channels	10.4.0
09/2012	RP-57	RP-121350	0031	-		Introduction of parallel PRACH and PUSCH/PUCCH/SRS transmission	11.0.0
12/2012	RP-58	RP-121951	0036	-		Correction to parallel PRACH, SRS and PUSCH/PUCCH transmission	11.1.0
	RP-58	RP-121956	0037	-		Introduction of EPDCCH in TS 36.302	11.1.0
03/2013	RP-59	RP-130245	0041	-		Correction to parallel SRS and PUSCH/PUCCH transmission	11.2.0
06/2013	RP-60	RP-130808	0043	-		Clarification on EPDCCH reception in MBSFN subframes	11.3.0
	RP-60	RP-130808	0044	-		Correction on downlink reception type combinations for UEs supporting multiple TAGs	11.3.0
	RP-60	RP-130808	0045	-		Downlink Reception Type Combinations for MBMS capable UE	11.3.0
09/2013	RP-61	RP-131311	0047	-		Miscellaneous correction to 36.302	11.4.0
03/2014	RP-63	RP-140355	0049	-		MBMS reception on any configured or configurable SCell	11.5.0
06/2014	RP-64	RP-140884	0050	-		Introduction of the Downlink Reception Types for TDD eIMTA	12.0.0
	RP-64	RP-140892	0051	-		Correction on simultaneous DL physical channels for idle UE	12.0.0
09/2014	RP-65	RP-141506	0054	1		Updates for low complexity UEs, and the improvements for the representation of the reception requirements	12.1.0
12/2014	RP-66	RP-142135	0056	-		Introduction of dual connectivity	12.2.0
03/2015	RP-67	RP-150376	0059	-		Removal of unnecessary requirement to receive MIB on SCell	12.3.0
06/2015	RP-68	RP-150921	0060	-		Introduction of ProSe	12.4.0
09/2015	RP-69	RP-151443	0061	1		TS36.302 rapporteur's cleanup	12.5.0
12/2015	RP-70	RP-152053	0062	-		Corrections to Sidelink in TS 36.302	12.6.0
12/2015	RP-70	RP-152071	0063	-		Introduction of PUCCH on SCell in CA	13.0.0
	RP-70	RP-152080	0064	1		Introduction of SC-PTM	13.0.0

Change history							
Date	TSG #	TSG Doc.	CR	Rev	Cat	Subject/Comment	New version
03/2016	RP-71	RP-160470	0065	1		Correction on CA enhancement	13.1.0
	RP-71	RP-160453	0066	2		The introduction of eMTC features	13.1.0
06/2016	RP-72	RP-161078	0070	-		Corrections on the data modulation of Downlink-Shared Channel	13.2.0
	RP-72	RP-161080	0071	1		Correction for sidelink	13.2.0
	RP-72	RP-161080	0072	1		Corrections on sidelink related description in TS36.302	13.2.0
	RP-72	RP-161080	0073	-		SC-PTM reception on non-Pcell	13.2.0
	RP-72	RP-161080	0074	-		Improvements for the representation of eMTC features	13.2.0
	RP-72	RP-161081	0076	1		Introduction of NB-IoT in 36.302	13.2.0
	RP-72	RP-161081	0076	1		Introduction of NB-IoT in 36.302	13.2.0
09/2016	RP-73	RP-161758	0078	-		Corrections to NB-IoT downlink reception type combinations	13.3.0
	RP-73	RP-161753	0079	1		Introduction of LAA	13.3.0
	RP-73	RP-161751	0082	1		Introduction of MBSFN measurements	13.3.0
	RP-73	RP-161762	0083	1		Introduction of RS-SINR measurement to 36.302	13.3.0
	RP-73	RP-161755	0084	-		Miscellaneous corrections on DL reception types	13.3.0
	RP-73	RP-161746	0077	2		Introducing V2V to TS 36.302	14.0.0
	RP-73	RP-161745	0080	1		Introduction of eLAA	14.0.0
12/2016	RP-74	RP-162318	0086	-		Miscellaneous corrections to TS 36.302	14.1.0
	RP-74	RP-162328	0087	2		Corrections on V2V descriptions in TS 36.302	14.1.0
	RP-74	RP-162324	0090	1		Introduce the new RNTIs for SRS Carrier Based Switching	14.1.0
	RP-74	RP-162315	0091	1		Clarification on Reception Type for SC-PTM	14.1.0
03/2017	RP-75	RP-170643	0092	-	F	Correction on the definition of sidelink in 36.302	14.2.0
	RP-75	RP-170656	0094	1	A	Correction for MAC SDU and PDU for BCH in NB-IoT	14.2.0
	RP-75	RP-170655	0096	-	A	Correction on channel bandwidth definition for NB-IoT	14.2.0
	RP-75	RP-170637	0097	2	B	Introduction of Rel-14 NB-IoT Enhancements	14.2.0
	RP-75	RP-170636	0098	2	B	Introduction of Rel-14 FeMTC	14.2.0
	RP-75	RP-170633	0099	1	B	Introduction of FeMBMS to 36.302	14.2.0
	RP-75	RP-170635	0103	1	B	Introducing V2X to TS 36.302	14.2.0
	RP-75	RP-170635	0103	1	B	Introducing V2X to TS 36.302	14.2.0
06/2017	RP-76	RP-171223	0105	2	F	Correction to SC-MCCH and SC-MTCH reception type	14.3.0
	RP-76	RP-171234	0107	1	F	Correction on the data modulation of Uplink Shared Channel	14.3.0
	RP-76	RP-171244	0109	1	A	Correction to downlink reception types for BL UEs and UEs in CE	14.3.0
	RP-76	RP-171221	0112	1	F	Correction to Downlink Reception Type Combinations for FeMBMS	14.3.0
12/2017	RP-78	RP-172617	0114	2	F	Correction to V2X descriptions in TS 36.302	14.4.0
	RP-78	RP-172616	0115	3	F	Correction on downlink reception type combination for SC-PTM in FeMTC	14.4.0
	RP-78	RP-172624	0117	1	A	Correction to description of uplink and downlink shared channel physical layer model for MTC and NB-IoT.	14.4.0
	RP-78	RP-172615	1191	1	F	Table 8.2-2 correction of the remarks for DL reception type of Sidelink and FeMBMS and move of EPDCCH remark to the bottom of the table	14.4.0
06/2018	RP-80	RP-181218	1192	2	B	Introduction of shortened TTI and processing time for LTE	15.0.0
	RP-80	RP-181252	1193	1	B	Introduction of Rel-15 NB-IoT enhancements in 36.302	15.0.0
	RP-80	RP-181224	1194	-	B	Introduction of Rel-15 eMTC enhancements in 36.302	15.0.0