

TTA Technical Specification

정보통신단체표준(기술규격)
TTAT.3G-36.302(R10-10.6.0)

제정일: 2017년 7월

3GPP – Technical Specification Group
Radio Access Network; Evolved Universal
Terrestrial Radio Access (E-UTRA);
Services provided by the physical layer
(Release 10)



본 문서에 대한 저작권은 TTA 에 있으며, TTA 와 사전 협의 없이 이 문서의 전체 또는 일부를 상업적 목적으로 복제 또는 배포해서는 안 됩니다.

Copyright© Telecommunications Technology Association Q17.

All Rights Reserved

3GPP TS 36.302 V10.6.0 (2013-09)

Technical Specification

**3rd Generation Partnership Project;
Technical Specification Group Radio Access Network;
Evolved Universal Terrestrial Radio Access (E-UTRA);
Services provided by the physical layer
(Release 10)**



The present document has been developed within the 3rd Generation Partnership Project (3GPPTM) and may be further elaborated for the purposes of 3GPP. The present document has not been subject to any approval process by the 3GPP Organizational Partners and shall not be implemented. This Specification is provided for future development work within 3GPP only. The Organizational Partners accept no liability for any use of this Specification. Specifications and reports for implementation of the 3GPPTM system should be obtained via the 3GPP Organizational Partners' Publications Offices.

Keywords

UTRAN, radio, layer 1

3GPP

Postal address

3GPP support office address

650 Route des Lucioles - Sophia Antipolis
Valbonne - FRANCE
Tel.: +33 4 92 94 42 00 Fax: +33 4 93 65 47 16

Internet

<http://www.3gpp.org>

Copyright Notification

No part may be reproduced except as authorized by written permission.
The copyright and the foregoing restriction extend to reproduction in all media.

© 2013, 3GPP Organizational Partners (ARIB, ATIS, CCSA, ETSI, TTA, TTC).
All rights reserved.

UMTS™ is a Trade Mark of ETSI registered for the benefit of its members
3GPP™ is a Trade Mark of ETSI registered for the benefit of its Members and of the 3GPP Organizational Partners
LTE™ is a Trade Mark of ETSI currently being registered for the benefit of its Members and of the 3GPP Organizational Partners
GSM® and the GSM logo are registered and owned by the GSM Association

Contents

| | |
|--|-----------|
| Foreword..... | 4 |
| 1 Scope..... | 5 |
| 2 References..... | 5 |
| 3 Definitions, symbols and abbreviations | 6 |
| 3.1 Definitions | 6 |
| 3.2 Abbreviations..... | 6 |
| 4 Interfaces to the physical layer..... | 8 |
| 4.1 Interface to MAC..... | 8 |
| 4.2 Interface to RRC..... | 8 |
| 5 Services and functions of the physical layer | 8 |
| 5.1 General..... | 8 |
| 5.2 Overview of L1 functions | 8 |
| 5.3 L1 interactions with MAC retransmission functionality..... | 9 |
| 6 Model of physical layer of the UE | 9 |
| 6.1 Uplink model | 9 |
| 6.1.1 Uplink Shared Channel | 9 |
| 6.1.2 Random-access Channel | 10 |
| 6.2 Downlink model | 10 |
| 6.2.1 Downlink-Shared Channel | 10 |
| 6.2.2 Broadcast Channel | 12 |
| 6.2.3 Paging Channel | 12 |
| 6.2.4 Multicast Channel | 13 |
| 7 Void..... | 14 |
| 8 Parallel transmission of simultaneous Physical Channels and SRS..... | 15 |
| 8.1 Uplink | 15 |
| 8.2 Downlink | 16 |
| 9 Measurements provided by the physical layer | 17 |
| 9.1 Model of physical layer measurements..... | 17 |
| 9.2 UE Measurements..... | 17 |
| 9.3 E-UTRAN Measurements..... | 18 |
| Annex A (informative): Change history | 19 |

Foreword

This Technical Specification has been produced by the 3rd Generation Partnership Project (3GPP).

The contents of the present document are subject to continuing work within the TSG and may change following formal TSG approval. Should the TSG modify the contents of the present document, it will be re-released by the TSG with an identifying change of release date and an increase in version number as follows:

Version x.y.z

where:

- x the first digit:
 - 1 presented to TSG for information;
 - 2 presented to TSG for approval;
 - 3 or greater indicates TSG approved document under change control.
- y the second digit is incremented for all changes of substance, i.e. technical enhancements, corrections, updates, etc.
- z the third digit is incremented when editorial only changes have been incorporated in the document.

1 Scope

The present document is a technical specification of the services provided by the physical layer of E-UTRA to upper layers.

2 References

The following documents contain provisions which, through reference in this text, constitute provisions of the present document.

- References are either specific (identified by date of publication, edition number, version number, etc.) or non-specific.
- For a specific reference, subsequent revisions do not apply.
- For a non-specific reference, the latest version applies. In the case of a reference to a 3GPP document (including a GSM document), a non-specific reference implicitly refers to the latest version of that document *in the same Release as the present document*.

[1] 3GPP TS 41.101: "Technical Specifications and Technical Reports for a GERAN-based 3GPP system".

Support Team note: The reference above is not used in the present document.

[2] 3GPP TR 21 912 (V3.1.0): "Example 2, using fixed text".

Support Team note: The reference above is invalid (there is no such spec) and not used in the present document.

[3] 3GPP TR 21.905: "Vocabulary for 3GPP Specifications".

[4] 3GPP TR 25.913: "Requirements for Evolved UTRA (E-UTRA) and Evolved UTRAN (E-UTRAN)".

Support Team note: The reference above is not used in the present document.

[5] 3GPP TR 25.814, Physical aspects for Evolved UTRA

Support Team note: The reference above is not used in the present document, and is anyway illegal since 25.814 is not published by the OPs.

[6] 3GPP TS 36.300: "Evolved Universal Terrestrial Radio Access (E-UTRA) and Evolved Universal Terrestrial Radio Access (E-UTRAN); Overall description; Stage 2".

Support Team note: The reference above is not used in the present document.

[7] 3GPP TS 36.201: "Evolved Universal Terrestrial Radio Access (E-UTRA); Physical layer; General description".

Support Team note: The reference above is not used in the present document.

[8] 3GPP TS 36.211: "Evolved Universal Terrestrial Radio Access (E-UTRA); Physical channels and modulation".

[9] 3GPP TS 36.212: "Evolved Universal Terrestrial Radio Access (E-UTRA); Multiplexing and channel coding".

[10] 3GPP TS 36.213: "Evolved Universal Terrestrial Radio Access (E-UTRA); Physical layer procedures".

Support Team note: The reference above is not used in the present document.

- [11] 3GPP TS 36.214: "Evolved Universal Terrestrial Radio Access (E-UTRA); Physical layer; Measurements".

Support Team note: The reference above is not used in the present document.

3 Definitions, symbols and abbreviations

3.1 Definitions

For the purposes of the present document, the terms and definitions given in TR 21.905 [3] and the following apply. A term defined in the present document takes precedence over the definition of the same term, if any, in TR 21.905 [3].

Carrier frequency center frequency of the cell.

Frequency layer: set of cells with the same carrier frequency.

3.2 Abbreviations

For the purposes of the present document, the abbreviations given in TR 21.905 [3] and the following apply. An abbreviation defined in the present document takes precedence over the definition of the same abbreviation, if any, in TR 21.905 [3].

For the purposes of the present document, the following abbreviations apply:

| | |
|---------|--|
| ACK | Acknowledgement |
| ACLR | Adjacent Channel Leakage Ratio |
| aGW | Access Gateway |
| AM | Acknowledge Mode |
| ARQ | Automatic Repeat Request |
| AS | Access Stratum |
| BCCH | Broadcast Control Channel |
| BCH | Broadcast Channel |
| C/I | Carrier-to-Interference Power Ratio |
| CAZAC | Constant Amplitude Zero Auto-Correlation |
| CMAS | Commercial Mobile Alert System |
| CMC | Connection Mobility Control |
| CP | Cyclic Prefix |
| C-plane | Control Plane |
| CRC | Cyclic Redundancy Check |
| CSI | Channel State Information |
| DCCH | Dedicated Control Channel |
| DL | Downlink |
| DRX | Discontinuous Reception |
| DTCH | Dedicated Traffic Channel |
| DTX | Discontinuous Transmission |
| eNB | E-UTRAN NodeB |
| EPC | Evolved Packet Core |
| E-UTRA | Evolved UTRA |
| E-UTRAN | Evolved UTRAN |
| FDD | Frequency Division Duplex |
| FDM | Frequency Division Multiplexing |
| GERAN | GSM EDGE Radio Access Network |
| GNSS | Global Navigation Satellite System |
| GSM | Global System for Mobile communication |
| HARQ | Hybrid ARQ |
| HO | Handover |
| HSDPA | High Speed Downlink Packet Access |
| ICIC | Inter-Cell Interference Coordination |
| IP | Internet Protocol |

| | |
|---------|---|
| LB | Load Balancing |
| LCR | Low Chip Rate |
| LTE | Long Term Evolution |
| MAC | Medium Access Control |
| MBMS | Multimedia Broadcast Multicast Service |
| MBSFN | Multimedia Broadcast multicast service Single Frequency Network |
| MCCH | Multicast Control Channel |
| MCS | Modulation and Coding Scheme |
| MIMO | Multiple Input Multiple Output |
| MME | Mobility Management Entity |
| MTCH | Multicast Traffic Channel |
| NACK | Negative Acknowledgement |
| NAS | Non-Access Stratum |
| OFDM | Orthogonal Frequency Division Multiplexing |
| OFDMA | Orthogonal Frequency Division Multiple Access |
| PA | Power Amplifier |
| PAPR | Peak-to-Average Power Ratio |
| PCCH | Paging Control Channel |
| PDCP | Packet Data Convergence Protocol |
| PDU | Packet Data Unit |
| PHY | Physical layer |
| PLMN | Public Land Mobile Network |
| PRB | Physical Resource Block |
| PSC | Packet Scheduling |
| QAM | Quadrature Amplitude Modulation |
| QoS | Quality of Service |
| RAC | Radio Admission Control |
| RACH | Random Access Channel |
| RAT | Radio Access Technology |
| RB | Radio Bearer |
| RBC | Radio Bearer Control |
| RF | Radio Frequency |
| RLC | Radio Link Control |
| RNL | Radio Network Layer |
| ROHC | Robust Header Compression |
| RRC | Radio Resource Control |
| RRM | Radio Resource Management |
| RU | Resource Unit |
| S1-C | S1-Control plane |
| S1-U | S1-User plane |
| SAE | System Architecture Evolution |
| SAP | Service Access Point |
| SC-FDMA | Single Carrier – Frequency Division Multiple Access |
| SCell | Secondary Cell |
| SCH | Synchronization Channel |
| SDMA | Spatial Division Multiple Access |
| SDU | Service Data Unit |
| SRS | Sounding Reference Symbol |
| TA | Tracking Area |
| TB | Transport Block |
| TCP | Transmission Control Protocol |
| TDD | Time Division Duplex |
| TM | Transparent Mode |
| TNL | Transport Network Layer |
| TTI | Transmission Time Interval |
| UE | User Equipment |
| UL | Uplink |
| UM | Un-acknowledge Mode |
| UMTS | Universal Mobile Telecommunication System |
| UPE | User Plane Entity |
| U-plane | User plane |
| UTRA | Universal Terrestrial Radio Access |

| | |
|-------|--|
| UTRAN | Universal Terrestrial Radio Access Network |
| VRB | Virtual Resource Block |
| X2-C | X2-Control plane |
| X2-U | X2-User plane |

4 Interfaces to the physical layer

4.1 Interface to MAC

4.2 Interface to RRC

5 Services and functions of the physical layer

5.1 General

The physical layer offers data transport services to higher layers.

The access to these services is through the use of transport channels via the MAC sub-layer.

A transport block is defined as the data delivered by MAC layer to the physical layer and vice versa. Transport blocks are delivered once every TTI.

5.2 Overview of L1 functions

The physical layer offers data transport services to higher layers. The access to these services is through the use of a transport channel via the MAC sub-layer. The physical layer is expected to perform the following functions in order to provide the data transport service:

- Error detection on the transport channel and indication to higher layers
- FEC encoding/decoding of the transport channel
- Hybrid ARQ soft-combining
- Rate matching of the coded transport channel to physical channels
- Mapping of the coded transport channel onto physical channels
- Power weighting of physical channels
- Modulation and demodulation of physical channels
- Frequency and time synchronisation
- Radio characteristics measurements and indication to higher layers
- Multiple Input Multiple Output (MIMO) antenna processing
- Transmit Diversity (TX diversity)
- Beamforming
- RF processing. (Note: RF processing aspects are specified in the TS 36.100)

L1 functions are modelled for each transport channel in subclauses 6.1 and 6.2.

5.3 L1 interactions with MAC retransmission functionality

6 Model of physical layer of the UE

The E-UTRA physical-layer model captures those characteristics of the E-UTRA physical-layer that are relevant from the point-of-view of higher layers. More specifically, the physical-layer model captures:

- The structure of higher-layer data being passed down to or up from the physical layer;
- The means by which higher layers can configure the physical layer;
- The different indications (error indications, channel-quality indications, etc.) that are provided by the physical layer to higher layers;
- Other (non-transport-channel-based) higher-layer peer-to-peer signalling supported by the physical layer.

6.1 Uplink model

6.1.1 Uplink Shared Channel

The physical-layer model for Uplink Shared Channel transmission is described based on the corresponding physical-layer-processing chain, see Figure 6.1.1-1. Processing steps that are relevant for the physical-layer model, e.g. in the sense that they are configurable by higher layers, are highlighted in blue. It should be noted that, in case PUSCH, the scheduling decision is fully done at the network side. The uplink transmission control in the UE then configures the uplink physical-layer processing, based on uplink transport-format and resource-assignment information received on the downlink.

- **Higher-layer data passed to/from the physical layer**
 - One transport block of dynamic size delivered to the physical layer once every TTI.
- **CRC and transport-block-error indication**
 - Transport-block-error indication delivered to higher layers.
- **FEC and rate matching**
 - Channel coding rate is implicitly given by the combination of transport block size, modulation scheme and resource assignment;
 - Physical layer model support of HARQ: in case of Incremental Redundancy, the corresponding Layer 2 Hybrid-ARQ process controls what redundancy version is to be used for the physical layer transmission for each TTI.
- **Interleaving**
 - No control of interleaving by higher layers.
- **Data modulation**
 - Modulation scheme is decided by MAC Scheduler (QPSK, 16QAM and 64QAM).
- **Mapping to physical resource**
 - L2-controlled resource assignment.
- **Multi-antenna processing**
 - MAC Scheduler partly configures mapping from assigned resource blocks to the available number of antenna ports.
- **Support of L1 control signalling**

- Transmission of ACK/NAK and CSI feedback related to DL data transmission

The model of Figure 6.1.1-1 also captures

- Transport via physical layer of Hybrid-ARQ related information associated with the PUSCH, to the peer HARQ process at the transmitter side;
- Transport via physical layer of corresponding HARQ acknowledgements to PUSCH transmitter side.

If a UE is configured with one or more SCells, the physical-layer-processing chain in Figure 6.1.1-1 is repeated for every UL Serving Cell.

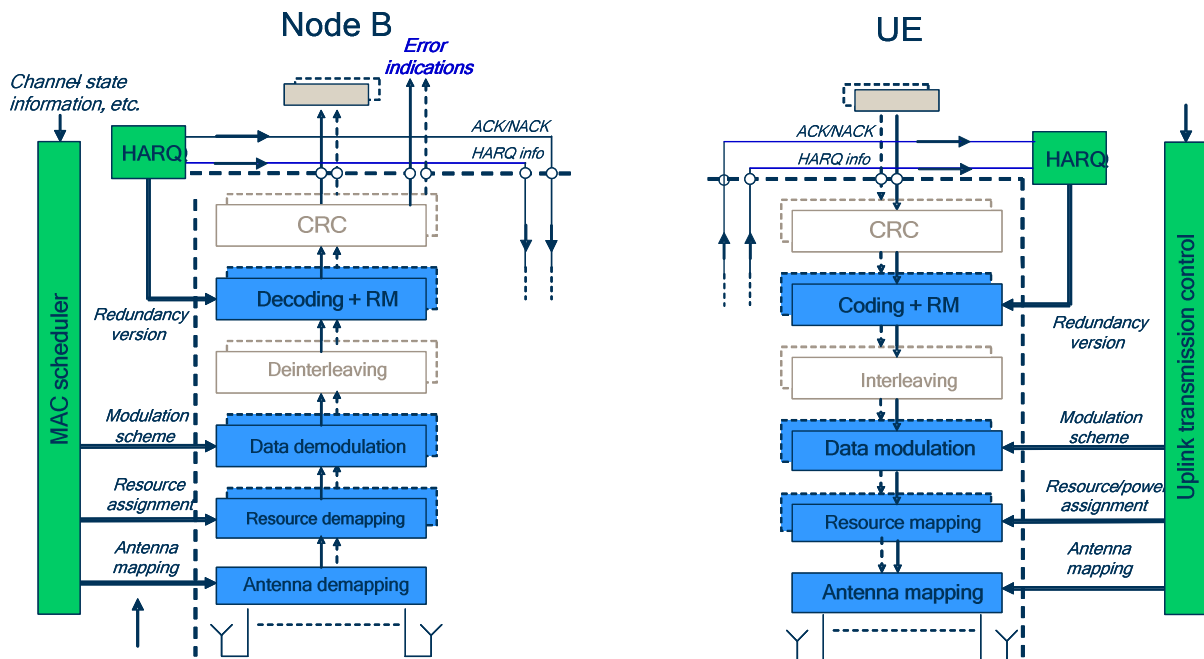


Figure 6.1.1-1: Physical-layer model for UL-SCH transmission

6.1.2 Random-access Channel

6.2 Downlink model

6.2.1 Downlink-Shared Channel

The physical-layer model for Downlink Shared Channel transmission model is described based on the corresponding PDSCH physical-layer-processing chain, see Figure 6.2.1-1. Processing steps that are relevant for the physical-layer model, e.g. in the sense that they are configurable by higher layers, are highlighted in blue on the figure.

- **Higher-layer data passed to/from the physical layer**
- N (up to two) transport blocks of dynamic size delivered to the physical layer once every TTI.
- **CRC and transport-block-error indication**
- Transport-block-error indication delivered to higher layers.
- **FEC and rate matching**
- Channel coding rate is implicitly given by the combination of transport block size, modulation scheme and resource assignment;
- Physical layer model support of HARQ: in case of Incremental Redundancy, the corresponding Layer 2 Hybrid-ARQ process controls what redundancy version is to be used for the physical layer transmission for each TTI.

- **Data modulation**
- Modulation scheme is decided by MAC Scheduler (QPSK, 16QAM and 64 QAM).

Multi-antenna processing

- MAC Scheduler partly configures mapping from modulated code words (for each stream) to the available number of antenna ports.
- **Mapping to physical resource**
- L2-controlled resource assignment.
- **Support of L1 control signalling**
- Transmission of scheduler related control signals.
- **Support for Hybrid-ARQ-related signalling**

The model of Figure 6.2.1-1 also captures:

- Transport via physical layer of Hybrid-ARQ related information associated with the PDSCH, to the peer HARQ process at the receiver side;
- Transport via physical layer of corresponding HARQ acknowledgements to PDSCH transmitter side.

If a UE is configured with one or more SCells, the physical-layer-processing chain in Figure 6.2.1-1 is repeated for every DL Serving Cell.

NOTE: The signalling of transport-format and resource-allocation is not captured in the physical-layer model. At the transmitter side, this information can be directly derived from the configuration of the physical layer. The physical layer then transports this information over the radio interface to its peer physical layer, presumably multiplexed in one way or another with the HARQ-related information. On the receiver side, this information is, in contrast to the HARQ-related information, used directly within the physical layer for PDSCH demodulation, decoding etc., without passing through higher layers.

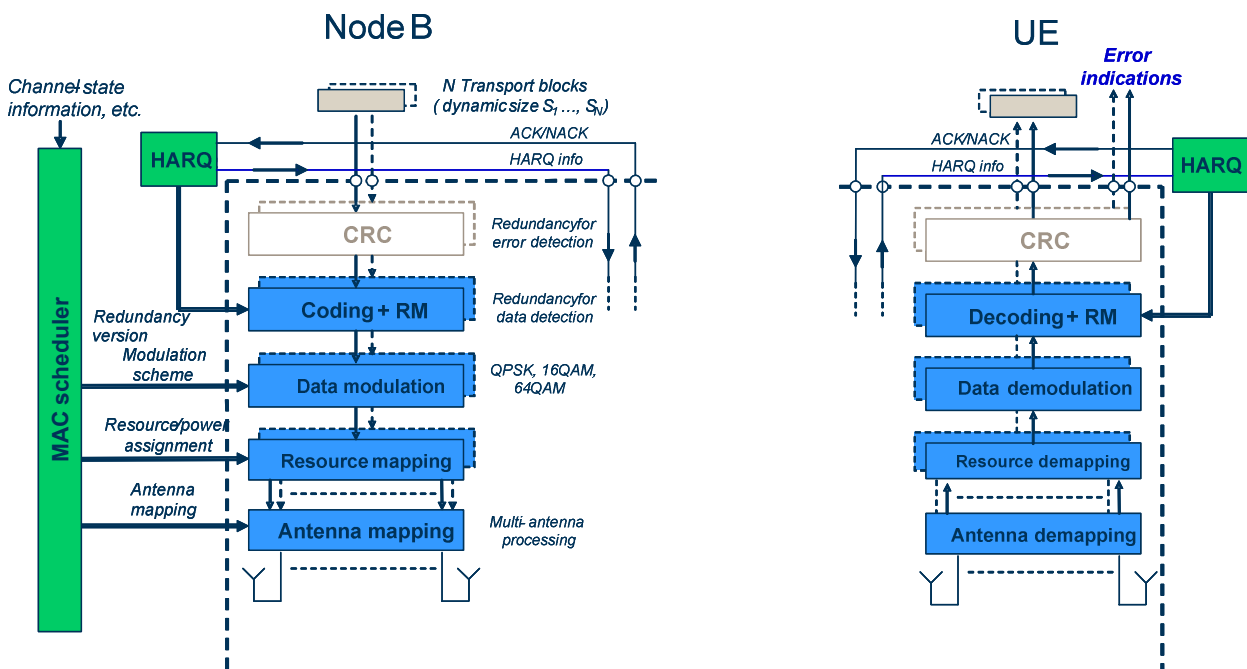


Figure 6.2.1-1: Physical-layer model for DL-SCH transmission

6.2.2 Broadcast Channel

The physical-layer model for BCH transmission is characterized by a fixed pre-defined transport format. The TTI (repetition rate) of the BCH is 40 ms. The BCH physical-layer model is described based on the corresponding BCH physical-layer-processing chain, see Figure 6.2.2-1:

- **Higher-layer data passed to/from the physical layer**
- A single (fixed-size) transport block per TTI.
- **CRC and transport-block-error indication**
- Transport-block-error indication delivered to higher layers.
- **FEC and rate matching**
- Channel coding rate is implicitly given by the combination of transport block size, modulation scheme and resource assignment;
- No BCH Hybrid ARQ, i.e. no higher-layer control of redundancy version.
- **Data modulation**
- Fixed modulation scheme (QPSK), i.e. no higher-layer control.
- **Mapping to physical resource**
- Fixed pre-determined transport format and resource allocation, i.e. no higher-layer control.
- **Multi-antenna processing**
 - Fixed pre-determined processing, i.e. no higher-layer control.
- **Support for Hybrid-ARQ-related signalling**
- No Hybrid ARQ.

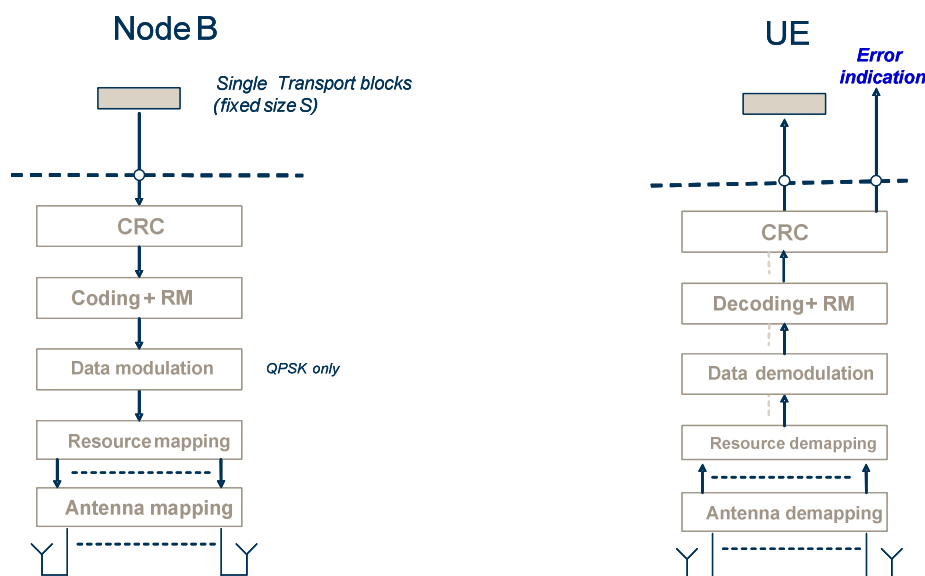


Figure 6.2.2-1: Physical-layer model for BCH transmission

6.2.3 Paging Channel

The physical-layer model for PCH transmission is described based on the corresponding PCH physical-layer-processing chain, see Figure 6.2.3-1. Processing steps that are relevant for the physical-layer model, e.g. in the sense that they are configurable by higher layers, are highlighted in blue on the figure.

- **Higher-layer data passed to/from the physical layer**
 - A single transport block per TTI.
 - **CRC and transport-block-error indication**
 - Transport-block-error indication delivered to higher layers.
 - **FEC and rate matching**
 - Channel coding rate is implicitly given by the combination of transport block size, modulation scheme and resource assignment;
 - No PCH Hybrid ARQ, i.e. no higher-layer control of redundancy version.
 - **Data modulation**
 - Modulation scheme is decided by MAC Scheduler.
 - **Mapping to physical resource**
 - L2 controlled resource assignment;
 - Possible support of dynamic transport format and resource allocation.
 - **Multi-antenna processing**
 - MAC Scheduler partly configures mapping from assigned resource blocks to the available number of antenna ports.
 - **Support for Hybrid-ARQ-related signalling**
- No Hybrid ARQ.

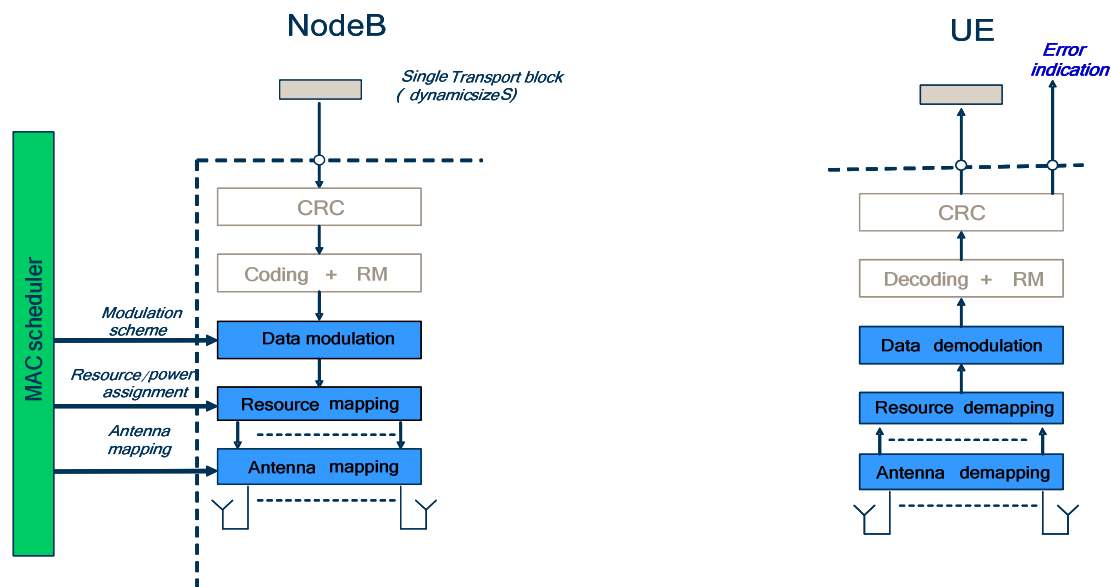


Figure 6.2.3-1: Physical-layer model for PCH transmission

6.2.4 Multicast Channel

The physical-layer model for MCH transmission is characterized by the support for multi-cell reception at the UE (a.k.a. "MBSFN" transmission). This implies that only semi-static configuration of the MCH transport format and resource assignment is possible. The MCH physical-layer model is described based on the corresponding MCH physical-layer-processing chain, see Figure 6.2.4-1. Processing steps that are relevant for the physical-layer model, e.g. in the sense that they are configurable by higher layers, are highlighted in blue.

- **Higher-layer data passed to/from the physical layer**

- One transport block delivered to physical layer once every TTI.
- **CRC and transport-block-error indication**
- Transport-block-error indication delivered to higher layers.
- **FEC and rate matching**
- Channel coding rate is implicitly given by the combination of transport block size, modulation scheme and resource assignment;
- No MCH Hybrid ARQ, i.e. no higher-layer control of redundancy version.
- **Data modulation**
- Modulation scheme is configured by RRC layer.
- **Mapping to physical resource**
- L2 controlled semi-static resource assignment.
- **Multi-antenna processing**
- MAC Scheduler partly configures mapping from assigned resource blocks (for each stream) to the available number of antenna ports.
- **Support for Hybrid-ARQ-related signalling**
- No Hybrid ARQ.

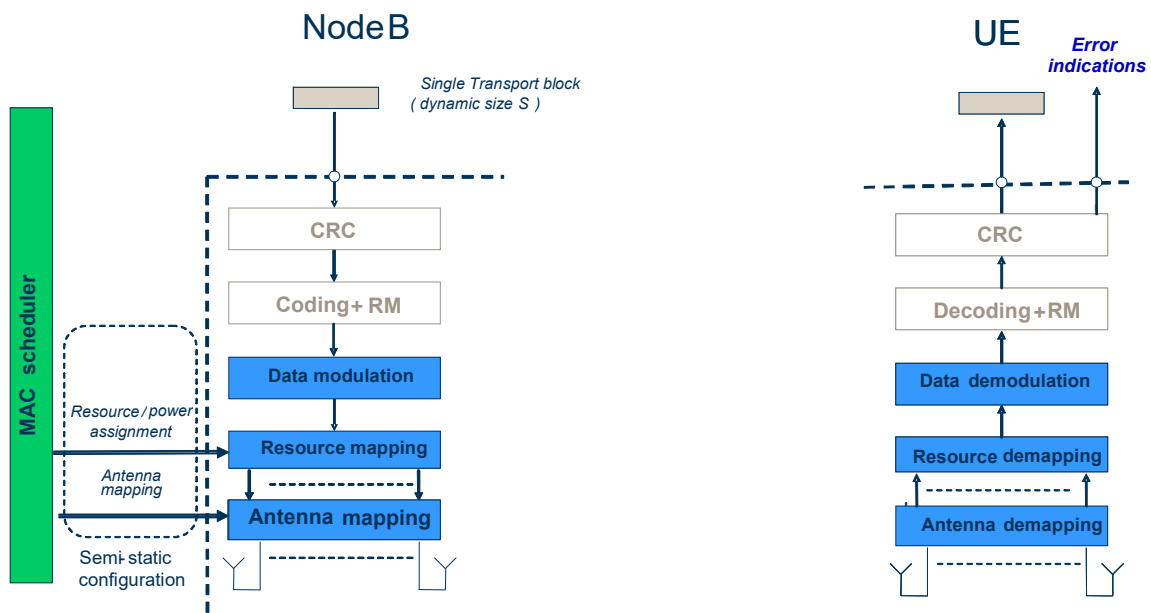


Figure 6.2.4-1: Physical-layer model for MCH transmission

7 Void

8 Parallel transmission of simultaneous Physical Channels and SRS

This clause describes the requirements from the UE to send and receive on multiple Physical and Transport Channels and SRS simultaneously depending on the service capabilities and requirements.

8.1 Uplink

The table describes the possible combinations of physical channels that can be sent in parallel in the uplink in the same TTI and the possible combination of SRS that can be sent in parallel in the same symbol of one TTI by one UE.

Table 8.1-1: Uplink

| | Physical Channel Combination | Transport Channel Combination | Mandatory dependent on UE radio access capabilities | Comment |
|---|--------------------------------|-------------------------------|---|--|
| 1 | q xPUSCH (Note 1) | UL-SCH | Mandatory | Note 2 |
| 2 | PRACH | RACH | Mandatory | |
| 3 | PUCCH | N/A | Mandatory | CSI and Scheduling Requests are provided to Layer 2. |
| 4 | q xPUSCH + PUCCH (Note 1) | UL-SCH | Mandatory for UEs supporting simultaneous transmission of PUSCH and PUCCH | Note 2 |
| 5 | q xSRS (Note 3) | N/A | Mandatory | Note 2 |
| Note 1: One PUSCH per UL CC. Note 2: q is the number of UL CCs supported by the UE. $q=1$ implies non-CA capable UE. Note 3: One SRS per UL CC. | | | | |

8.2 Downlink

The table describes the possible combinations of physical channels that can be received in parallel in the downlink in the same TTI by one UE. In one subframe, the UE shall be able to receive all TBs according to the indication on PDCCH.

Table 8.2-1: Downlink "Reception Types"

| "Reception Type" | Physical Channel(s) | Monitored RNTI | Associated Transport Channel |
|--|----------------------|--|------------------------------|
| A | PBCH | N/A | BCH |
| B | PDCCH+PDSCH | SI-RNTI | DL-SCH |
| C | PDCCH+PDSCH | P-RNTI | PCH |
| D | PDCCH+PDSCH | RA-RNTI (Note 3) | DL-SCH |
| | | Temporary C-RNTI (Note 3) (Note 4) | DL-SCH |
| | | C-RNTI and Semi-Persistent Scheduling C-RNTI | DL-SCH |
| D1 | PDCCH+PDSCH (Note 9) | C-RNTI | DL-SCH |
| E | PDCCH (Note 1) | C-RNTI | N/A |
| F | PDCCH | Temporary C-RNTI (Note 5) | UL-SCH |
| | | C-RNTI and Semi-Persistent Scheduling C-RNTI | UL-SCH |
| F1 | PDCCH (Note 9) | C-RNTI | UL-SCH |
| G | PDCCH | TPC-PUCCH-RNTI | N/A |
| H | PDCCH | TPC-PUSCH-RNTI | N/A |
| I | PDCCH | Semi-Persistent Scheduling C-RNTI (Note 6) | N/A |
| J | PDCCH | Semi-Persistent Scheduling C-RNTI (Note 7) | N/A |
| K | PDCCH | M-RNTI (Note 8) | N/A |
| L | PMCH | N/A (Note 8) | MCH |
| Note 1: PDCCH is used to convey PDCCH order for Random Access. Note 2: Void. Note 3: RA-RNTI and Temporary C-RNTI are mutually exclusive and only applicable during Random Access procedure. Note 4: Temporary C-RNTI is only applicable when no valid C-RNTI is available. Note 5: Temporary C-RNTI is only applicable during contention-based Random Access procedure. Note 6: Semi-Persistent Scheduling C-RNTI is used for DL Semi-Persistent Scheduling release. Note 7: Semi-Persistent Scheduling C-RNTI is used for UL Semi-Persistent Scheduling release. Note 8: In MBSFN subframes only Note 9: DL-SCH reception corresponding to D1, and UL-SCH transmission corresponding to F1, are only applicable to SCells. | | | |

Table 8.2-2: Downlink "Reception Type" Combinations

| Combination | Mandatory/Optional | Comment |
|---|--|---------------------------------|
| $1x_A + 1x_B + 1x_C$ | Mandatory | RRC_IDLE |
| $1x_K + 1x_L$ | Mandatory for MBMS UEs | RRC_IDLE |
| $1x_A + 1x_B + 1x(D \text{ or } E \text{ or } G \text{ or } I) + (p-1)x_{D1} + 1x(F \text{ or } H \text{ or } J) + (q-1)x_{F1}$ | Mandatory | RRC_CONNECTED |
| $1x_A + 1x_B + 1x(D \text{ or } E \text{ or } G \text{ or } I) + 1x(F \text{ or } H \text{ or } J) + 1x_F + (p-1)x_{D1} + 2x(q-1)x_{F1}$ | Mandatory for UEs supporting FS2 | RRC_CONNECTED (NOTE 1) |
| $((1x(E \text{ or } G \text{ or } I) + 1x_L) \text{ or } 1x_D) + 1x(F \text{ or } H \text{ or } J) + 1x_K + (p-1)x_{D1} + (q-1)x_{F1}$ | Mandatory for MBMS UEs | RRC_CONNECTED (NOTE 2) |
| $((1x(E \text{ or } G \text{ or } I) + 1x_L) \text{ or } 1x_D) + 1x(F \text{ or } H \text{ or } J) + 1x_F + 1x_K + (p-1)x_{D1} + 2x(q-1)x_{F1}$ | Mandatory for MBMS UEs supporting FS2 | RRC_CONNECTED (NOTE 1) (NOTE 2) |
| $1x_A + 1x_B + 1x_C + 1x(D \text{ or } E \text{ or } G \text{ or } I) + (p-1)x_{D1} + 1x(F \text{ or } H \text{ or } J) + (q-1)x_{F1}$ | Mandatory for ETWS and CMAS UEs Optional for all other UEs | RRC_CONNECTED |
| $1x_A + 1x_B + 1x_C + 1x(D \text{ or } E \text{ or } G \text{ or } I) + 1x(F \text{ or } H \text{ or } J) + 1x_F + (p-1)x_{D1} + 2x(q-1)x_{F1}$ | Mandatory for ETWS and CMAS UEs supporting FS2 Optional for all other UEs | RRC_CONNECTED (NOTE 1) |
| NOTE 1: For TDD UL/DL configuration 0, two PDCCHs can be received in the same subframe for UL-SCH in two different uplink subframes. | | |
| NOTE 2: The combination is the requirement when MBMS reception is on PCell. If the UE is capable to receive MBMS on any other cell, it is not required to simultaneously receive MBMS on PCell. | | |
| NOTE: p is the number of DL CCs supported by the UE. q is the number of UL CCs supported by the UE. $q = p = 1$ implies non-CA capable UE. | | |
| NOTE: The UE is only required to receive one PDSCH, pertaining to D or D1, per DL CC. | | |
| NOTE: The UE is not required to simultaneously receive PDSCH on SCell corresponding to D1 and PDSCH on PCell corresponding to D with RA-RNTI. | | |

NOTE: Any subset of the combinations specified in table 8.2-2 is also supported.

9 Measurements provided by the physical layer

9.1 Model of physical layer measurements

9.2 UE Measurements

UE measurement: **Reference signal received power (RSRP)**: Reference signal received power (RSRP) is determined for a considered cell as the linear average over the power contributions (in [W]) of the resource elements that carry cell-specific reference signals within the considered measurement frequency bandwidth. For RSRP determination the cell-specific reference signals R_0 and if available R_1 according to [8] can be used.

If receiver diversity is in use by the UE, the reported value shall be in accordance with [11].

UE measurement: **Reference Signal Received Quality (RSRQ)**: Reference Signal Received Quality (RSRQ) is defined as the ratio $N \times \text{RSRP} / (\text{E-UTRA carrier RSSI})$, where N is the number of RB's of the E-UTRA carrier RSSI measurement bandwidth. The measurements in the numerator and denominator shall be made over the same set of resource blocks.

E-UTRA Carrier Received Signal Strength Indicator (RSSI), comprises the linear average of the total received power (in [W]) observed only in OFDM symbols containing reference symbols for antenna port 0, in the measurement bandwidth, over N number of resource blocks by the UE from all sources, including co-channel serving and non-serving cells, adjacent channel interference, thermal noise etc.

If receiver diversity is in use by the UE, the reported value shall be in accordance with [11].

UE measurement: **UTRA CPICH RSCP**: Received Signal Code Power, the received power on one code measured on the Primary CPICH.

UE measurement: **UTRA FDD carrier RSSI**: received wide band power, including thermal noise and noise generated in the receiver, within the bandwidth defined by the receiver pulse shaping filter.

UE measurement: **UTRA FDD CPICH Ec/No**: received energy per chip divided by the power density in the band. The CPICH Ec/No is identical to CPICH RSCP/UTRA Carrier RSSI. Measurement is performed on the Primary CPICH.

UE measurement: **GSM carrier RSSI**: Received Signal Strength Indicator, the wide-band received power within the relevant channel bandwidth. Measurement is performed on a GSM BCCH carrier.

UE measurement: **UTRA TDD carrier RSSI**: The received wide band power, including thermal noise and noise generated in the receiver, within the bandwidth defined by the receiver pulse shaping filter, for TDD within a specified timeslot.

UE measurement: **UTRA TDD P-CCPCH RSCP**: Received Signal Code Power, the received power on P-CCPCH of a neighbour UTRA TDD cell.

9.3 E-UTRAN Measurements

The detailed E-UTRAN measurements definition is provided in [9]:

eNode B measurement: **DL RS TX power**: Downlink reference signal transmit power is determined for a considered cell as the linear average over the power contributions (in [W]) of the resource elements that carry cell-specific reference signals which are transmitted by the eNode B within its operating system bandwidth.

For DL RS TX power determination the cell-specific reference signals R_0 and if available R_1 according to [8] can be used.

The reference point for the DL RS TX power measurement shall be the TX antenna connector.

Annex A (informative): Change history

| Change history | | | | | | | |
|----------------|----------|-----------|------|-----|--|--------|--------|
| Date | TSG # | TSG Doc. | CR | Rev | Subject/Comment | Old | New |
| 11/2006 | RP-34 | RP-060795 | - | | First version : presented at TSG-RAN #34 and TSG-RAN WG2 #56 (11/2006) | - | 0.0.0 |
| 05/2007 | RP-36 | RP-xyztu | | | Update including physical layer modelling: submitted at TSG-RAN WG2 #58 (05/2006) | 0.0.0 | 0.0.1 |
| 06/2007 | RP-37 | R2-072502 | | | Update including physical Services and functions of the Physical Layer: presented and TSG-RAN WG2 #58bis (06/2006) | 0.0.1 | 0.0.2 |
| 06/2007 | RP-37 | R2-072931 | | | Update after presentation at TSG-RAN WG2 #58bis : physical channel channel terminology used | 0.0.2 | 0.1.0 |
| 09/2007 | RP-37 | RP-070686 | | | Removal of editor's notes. Presented at TSG-RAN #37 for information | 0.1.0 | 1.0.0 |
| 10/2007 | R2-59bis | R2-074579 | | | Agreements in RAN1 LS received at RAN2#59 have to be implemented in the specification (by RAN2#59bis): Parallel reception of Physical Broadcast Channel (PBCH) and DL-SCH in the same TTI is feasible; 2 new measurements were introduced for LTE, UE measurement "Reference Signal Received Quality (RSRQ)" and eNode B measurement "DL RS TX power". | 1.0.1 | 1.0.2 |
| 10/2007 | R2-59bis | R2-074584 | | | Removal of incorrect Parallel reception of physical channels | 1.0.2 | 1.0.3 |
| 11/2007 | RP-38 | RP-070914 | | | Submission to RAN for RAN#38 approval | 1.0.3 | 2.0.0 |
| 12/2007 | RP-38 | - | | | Apprpved at TSG RAN-38 and placed under change control | 2.0.0 | 8.0.0 |
| 03/2009 | RP-43 | RP-090124 | 0002 | - | Proposed CR on Parallel reception in LTE | 8.0.0 | 8.1.0 |
| | RP-43 | RP-090124 | 0004 | - | Correction of out-of-date information | 8.0.0 | 8.1.0 |
| 06/2009 | RP-44 | RP-090509 | 0005 | 1 | Correction of MBMS | 8.1.0 | 8.2.0 |
| | RP-44 | RP-090509 | 0006 | - | Downlink reception types | 8.1.0 | 8.2.0 |
| | RP-44 | RP-090509 | 0009 | - | Simultaneous reception of transport channels in the LTE | 8.1.0 | 8.2.0 |
| | RP-44 | RP-090509 | 0010 | - | Clarification on the parallel receptions for PDSCHs | 8.1.0 | 8.2.0 |
| 12/2009 | RP-46 | RP-091341 | 0011 | - | Addition of MBMS reception types | 8.2.0 | 9.0.0 |
| | RP-46 | RP-091346 | 0012 | - | Remove FFSs from RAN2 specifications | 8.2.0 | 9.0.0 |
| | RP-46 | RP-091345 | 0014 | - | Proposed CR to 36.302 on Introduction of CMAS | 8.2.0 | 9.0.0 |
| 03/2010 | RP-47 | RP-100308 | 0019 | 1 | Correction to RSRP and RSRQ definition with Receiver Diversity to align with TS 36.214 | 9.0.0 | 9.1.0 |
| 06/2010 | RP-48 | RP-100556 | 0020 | - | Correction to RSRQ definition to align with TS 36.214 | 9.1.0 | 9.2.0 |
| 12/2010 | RP-50 | RP-101226 | 0021 | 3 | Introduction of CA to TS36.302 | 9.2.0 | 10.0.0 |
| 03/2011 | RP-51 | RP-110289 | 0022 | 1 | Correction to parallel reception and transmission for CA | 10.0.0 | 10.1.0 |
| | RP-51 | RP-110270 | 0025 | - | Corrections to TS36.302 on MBMS | 10.0.0 | 10.1.0 |
| | RP-51 | RP-110289 | 0026 | - | Update and correction to TS36.302 for CA | 10.0.0 | 10.1.0 |
| 06/2011 | RP-52 | RP-110839 | 0028 | - | DL Assignment in MBSFN Subframe | 10.1.0 | 10.2.0 |
| 12/2011 | RP-54 | RP-111716 | 0029 | - | Corrections to channel model | 10.2.0 | 10.3.0 |
| 03/2012 | RP-55 | RP-120326 | 0030 | 1 | Correction to the combination of physical uplink channels | 10.3.0 | 10.4.0 |
| 03/2013 | RP-59 | RP-130233 | 0040 | - | Parallel reception of PDSCH on SCell and Msg2 on PCell | 10.4.0 | 10.5.0 |
| 09/2013 | RP-61 | RP-131311 | 0046 | - | Miscellaneous correction to 36.302 | 10.5.0 | 10.6.0 |